

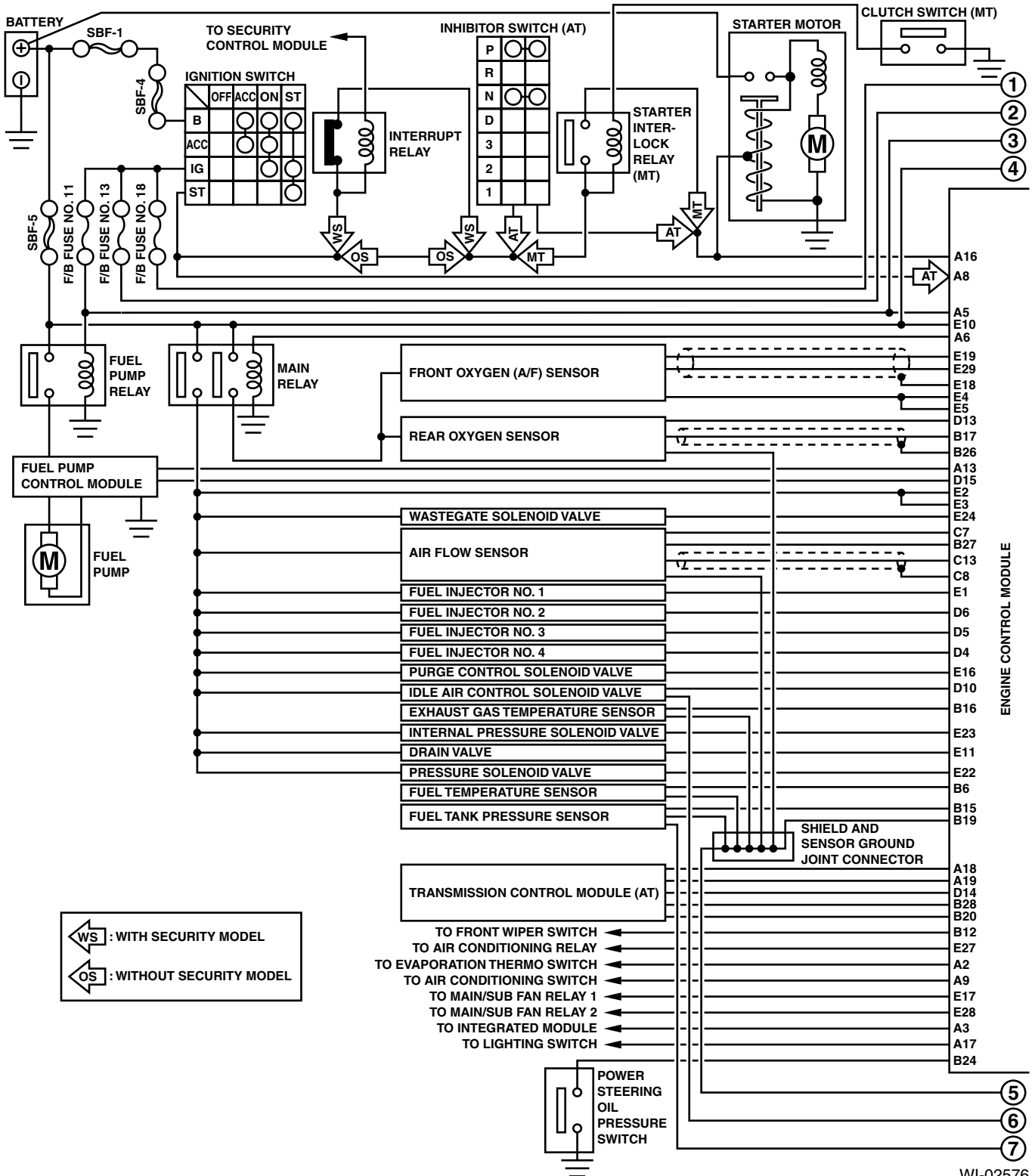
ENGINE ELECTRICAL SYSTEM

WIRING SYSTEM

17.Engine Electrical System

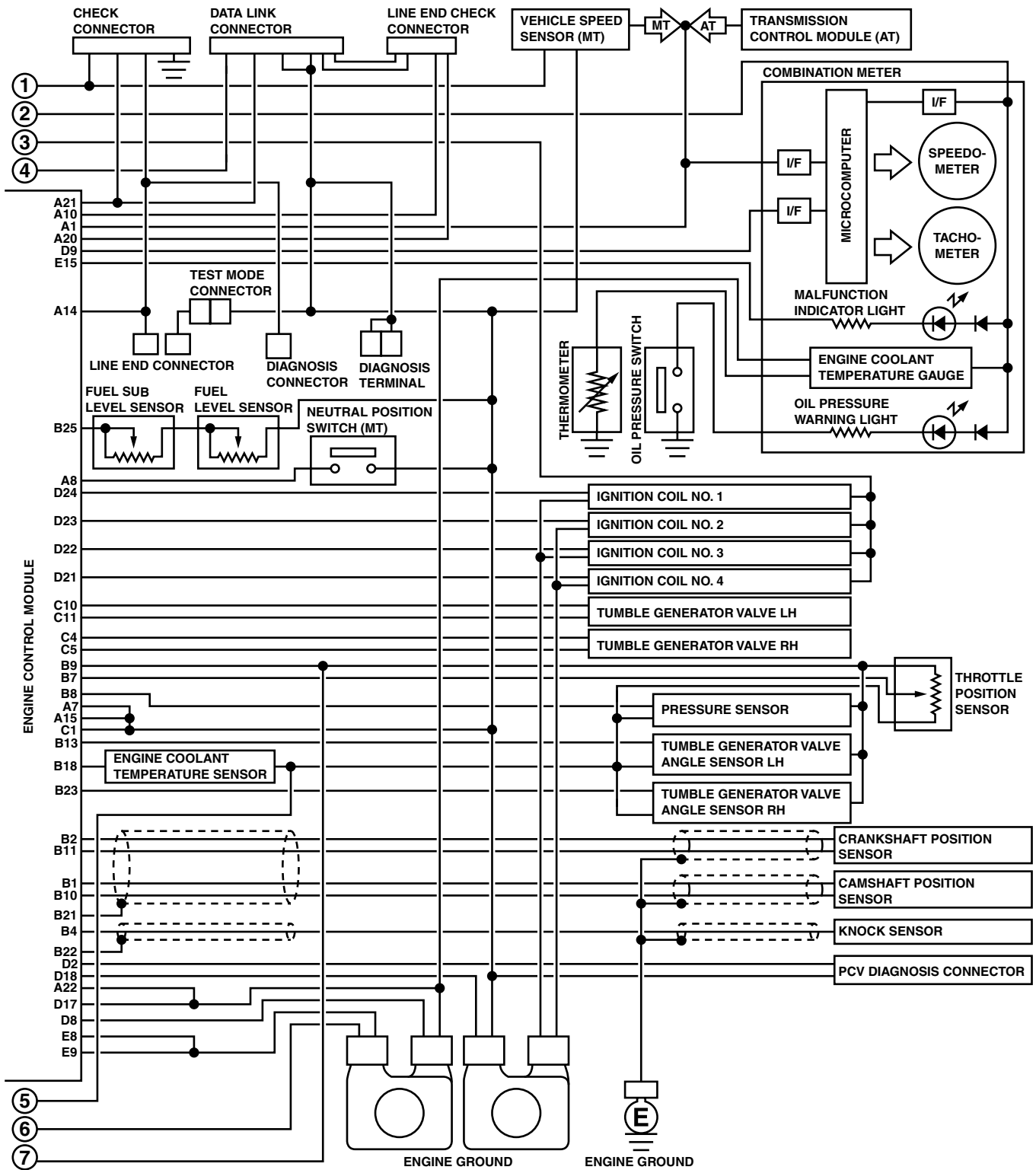
A: SCHEMATIC

1. TURBO MODEL



ENGINE ELECTRICAL SYSTEM

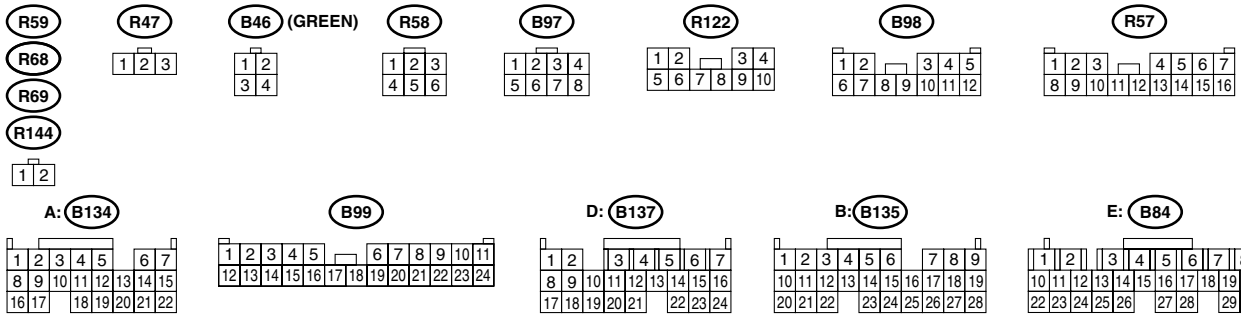
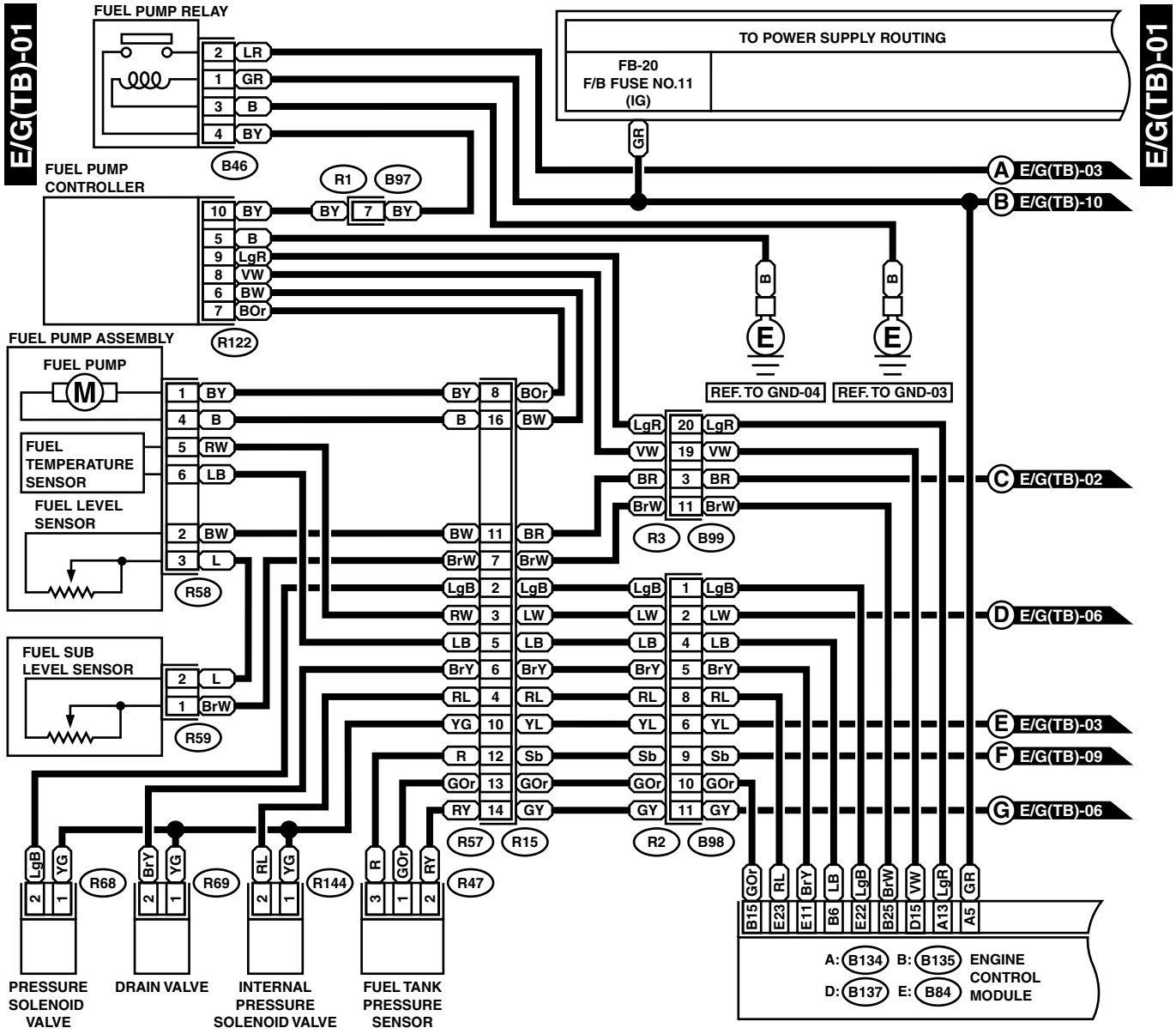
WIRING SYSTEM



WI-02577

ENGINE ELECTRICAL SYSTEM

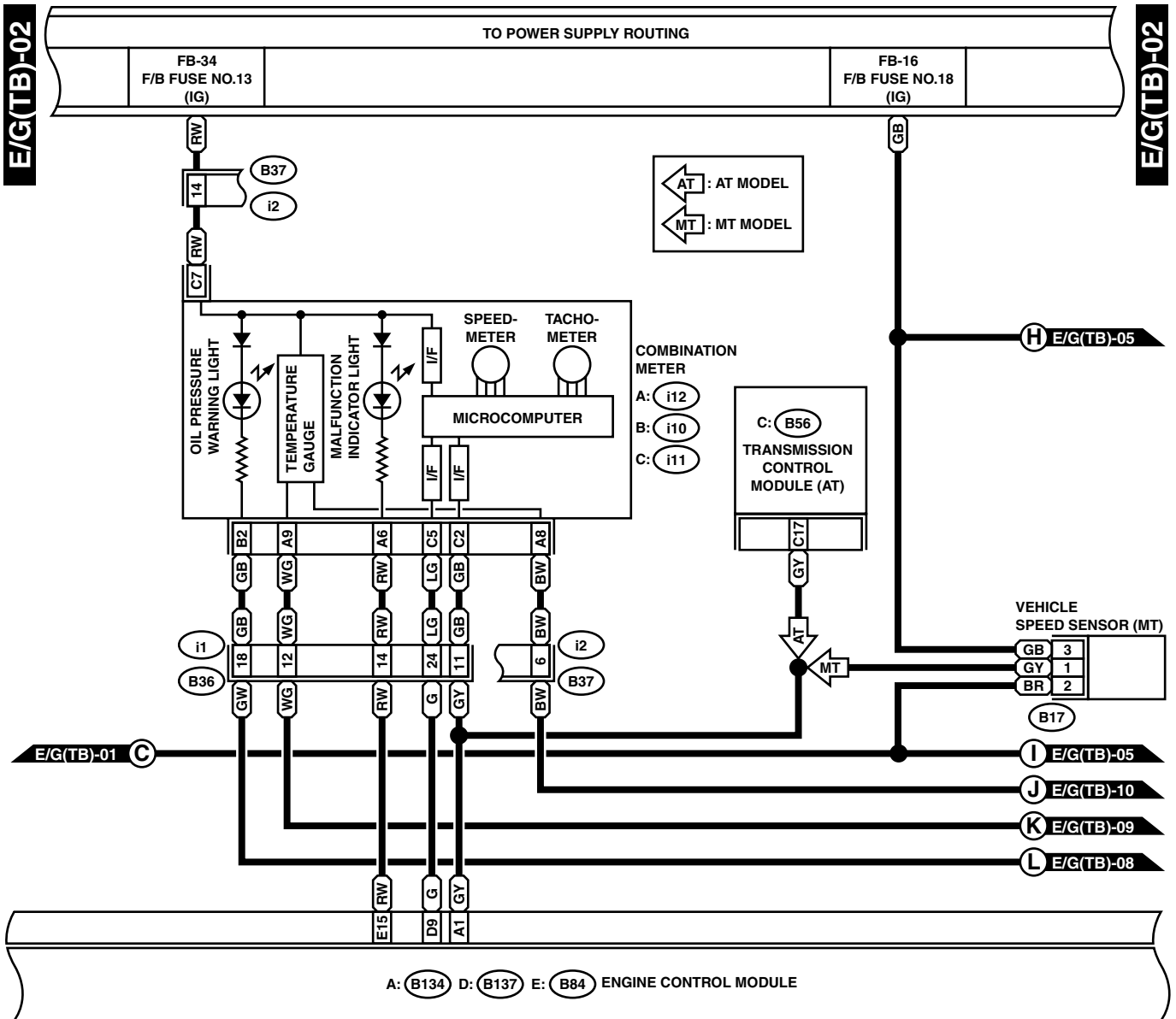
WIRING SYSTEM



WI-02472

ENGINE ELECTRICAL SYSTEM

WIRING SYSTEM



B17

1	2
3	4

C: i11 (GREEN)

1	2	3	4	5	6	7	8	9	10
---	---	---	---	---	---	---	---	---	----

A: i12 (GREEN)

1	2	3	4	5	6
7	8	9	10	11	12
13	14				

A: B134

1	2	3	4	5	6	7
8	9	10	11	12	13	14
15	16	17	18	19	20	21
22	23	24				

C: B56 (GREEN)

1	2	3	4	5	6	7	8	9
10	11	12	13	14	15	16	17	18
19	20	21				22	23	24

D: B137

1	2	3	4	5	6	7
8	9	10	11	12	13	14
15	16	17	18	19	20	21
22	23	24				

i2

1	2	3	4	5	6	7	8	9	10	11
12	13	14	15	16	17	18	19	20	21	22
23	24									

i1 (BROWN)

1	2	3	4	5	6	7	8	9	10	11
12	13	14	15	16	17	18	19	20	21	22
23	24									

B: i10 (GREEN)

1	2	3	4	5	6	7	8	9	10	11	12	13	14
15	16	17	18	19	20	21	22	23	24	25	26	27	28
29	30												

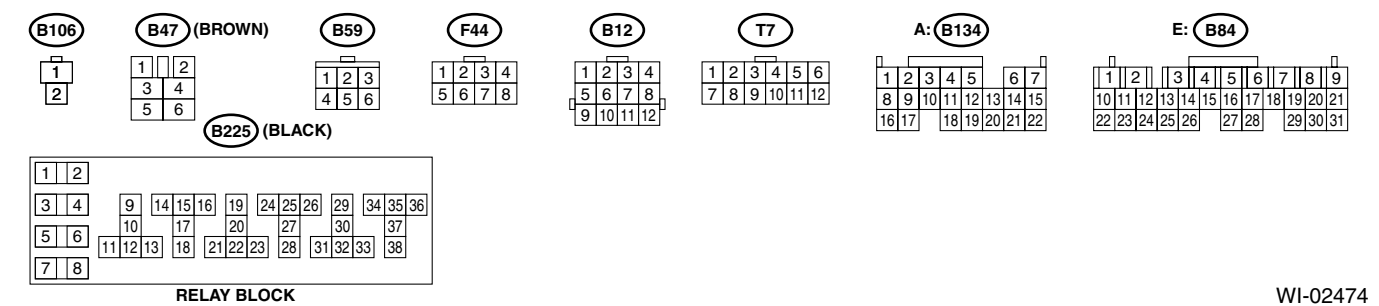
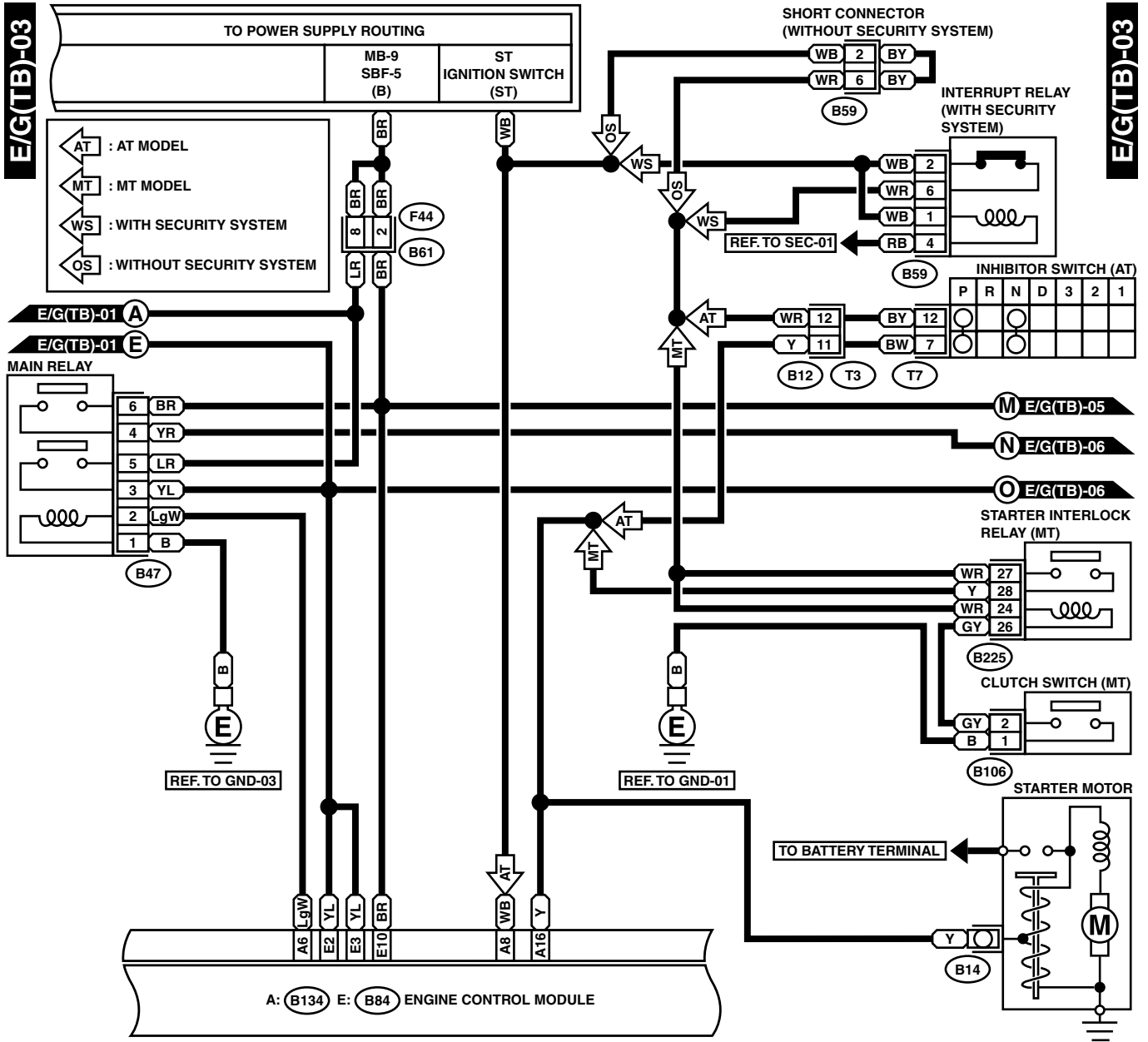
E: B84

1	2	3	4	5	6	7	8	9
10	11	12	13	14	15	16	17	18
19	20	21	22	23	24	25	26	27
28	29	30	31					

WI-02473

ENGINE ELECTRICAL SYSTEM

WIRING SYSTEM



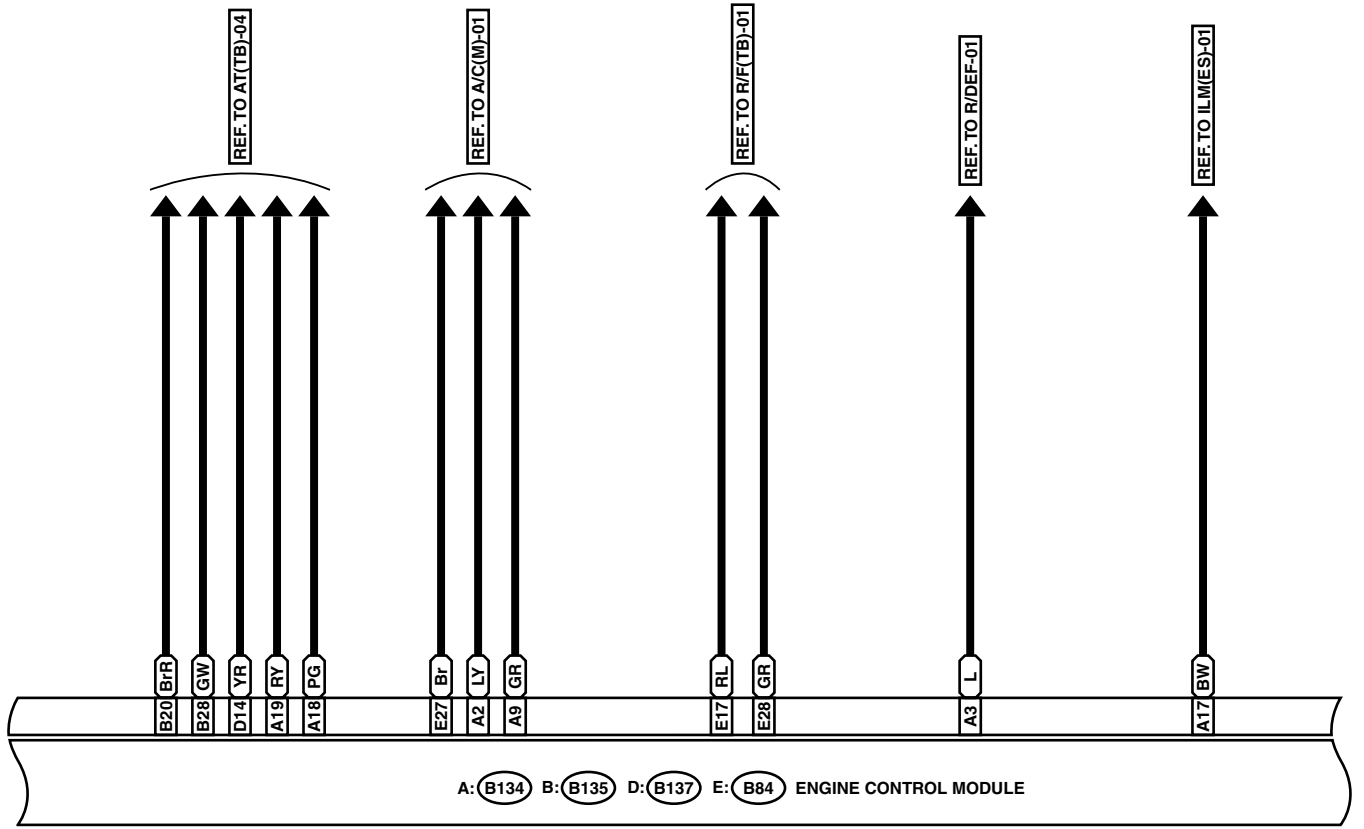
WI-02474

ENGINE ELECTRICAL SYSTEM

WIRING SYSTEM

E/G(TB)-04

E/G(TB)-04



A: (B134)

1	2	3	4	5	6	7	
8	9	10	11	12	13	14	15
16	17	18	19	20	21	22	

D: (B137)

1	2	3	4	5	6	7		
8	9	10	11	12	13	14	15	16
17	18	19	20	21	22	23	24	

B: (B135)

1	2	3	4	5	6	7	8	9	
10	11	12	13	14	15	16	17	18	19
20	21	22	23	24	25	26	27	28	

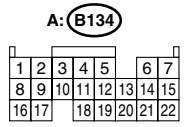
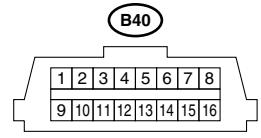
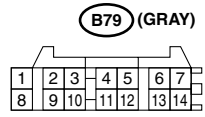
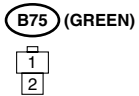
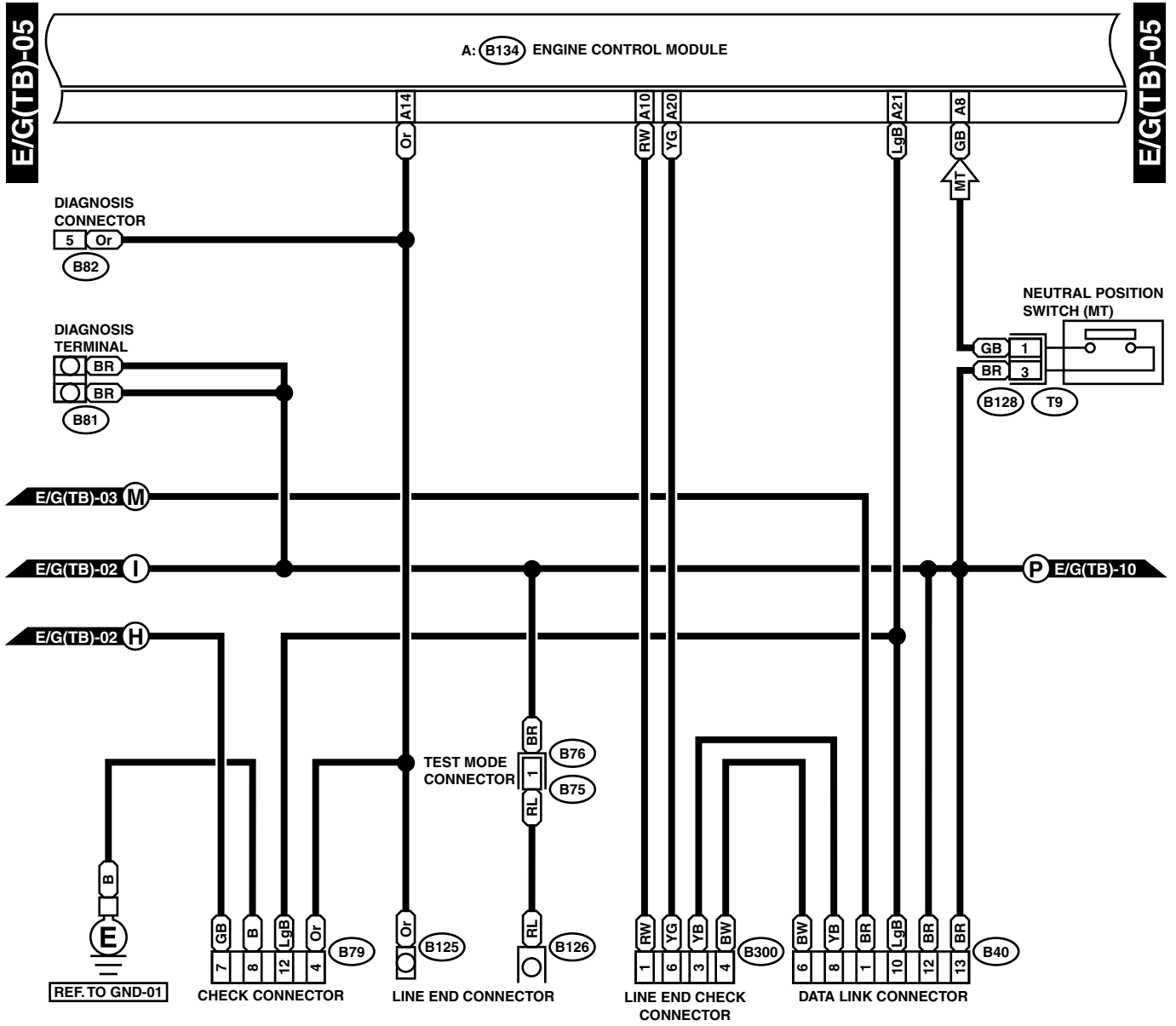
E: (B84)

1	2	3	4	5	6	7	8	9			
10	11	12	13	14	15	16	17	18	19	20	21
22	23	24	25	26	27	28	29	30	31		

WI-02475

ENGINE ELECTRICAL SYSTEM

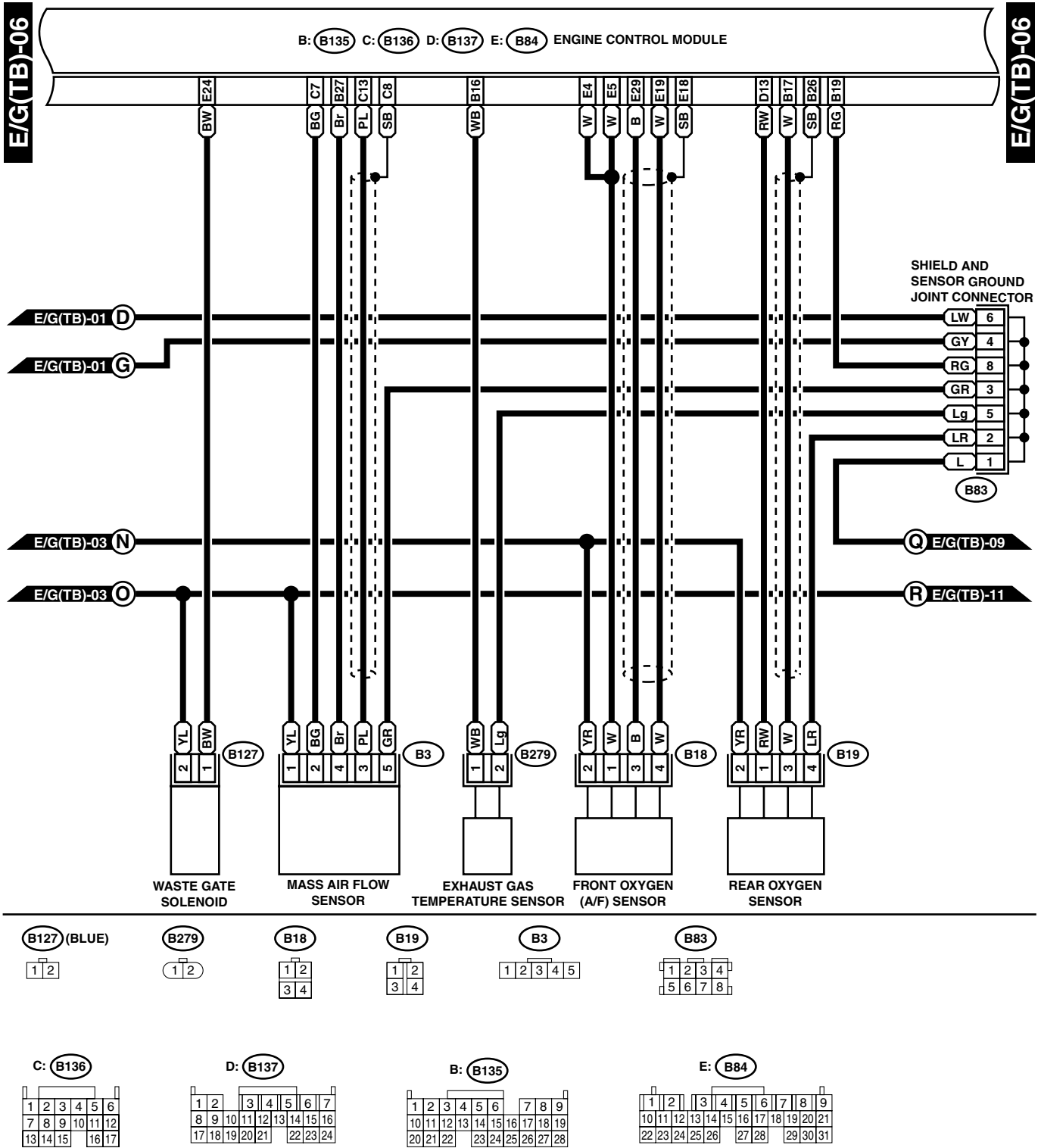
WIRING SYSTEM



WI-02788

ENGINE ELECTRICAL SYSTEM

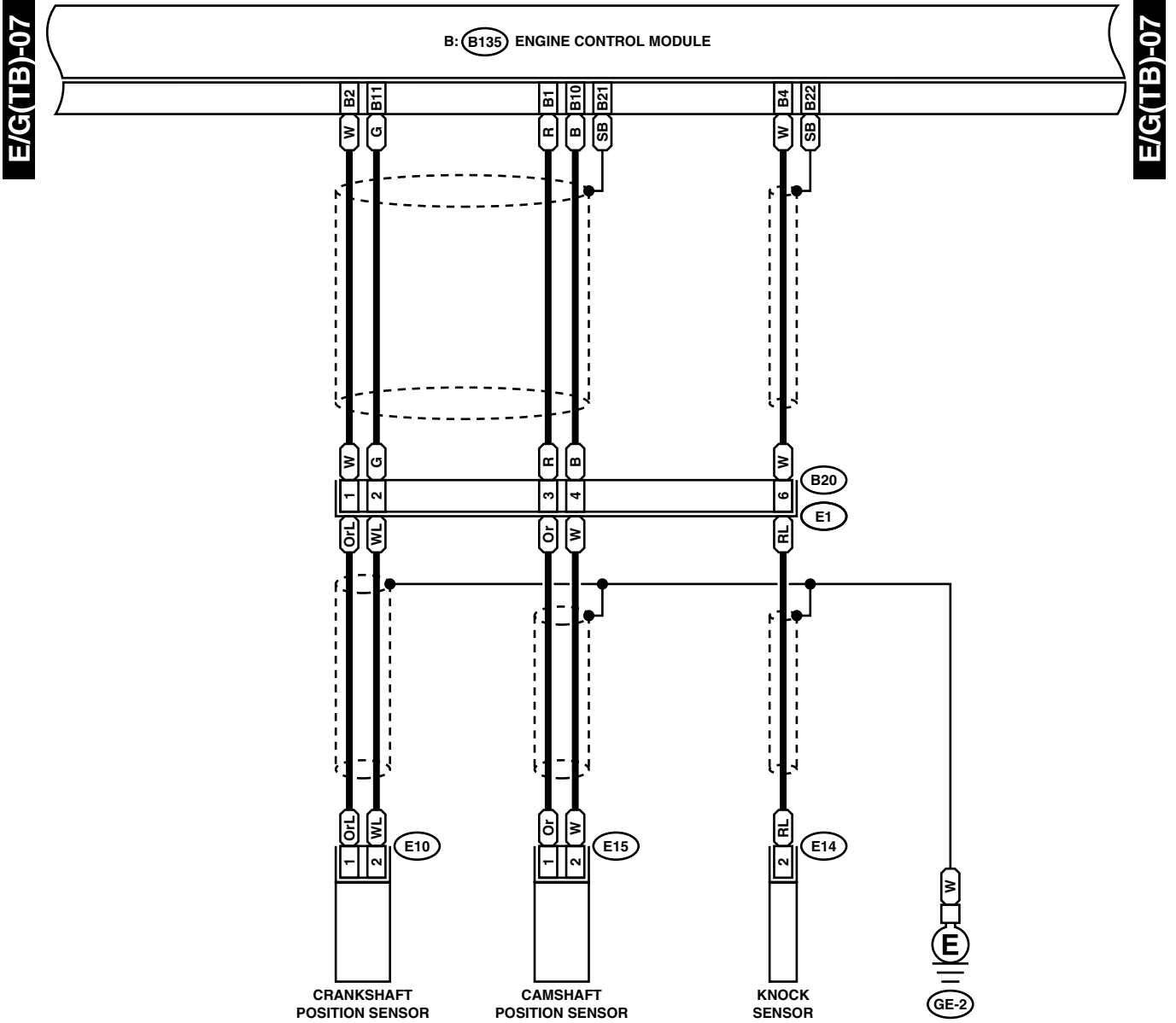
WIRING SYSTEM



WI-02476

ENGINE ELECTRICAL SYSTEM

WIRING SYSTEM



- E10** (LIGHT GRAY)
 - E14** (LIGHT GRAY)
 - E15** (LIGHT GRAY)
- | | |
|---|---|
| 1 | 2 |
|---|---|

B20 (LIGHT GRAY)

1	2	3	4
5	6	7	
8	9	10	

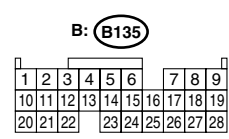
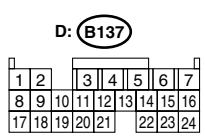
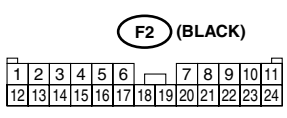
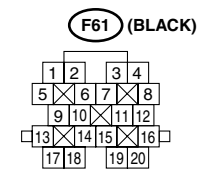
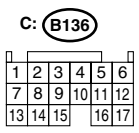
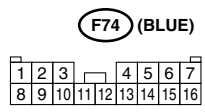
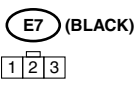
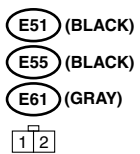
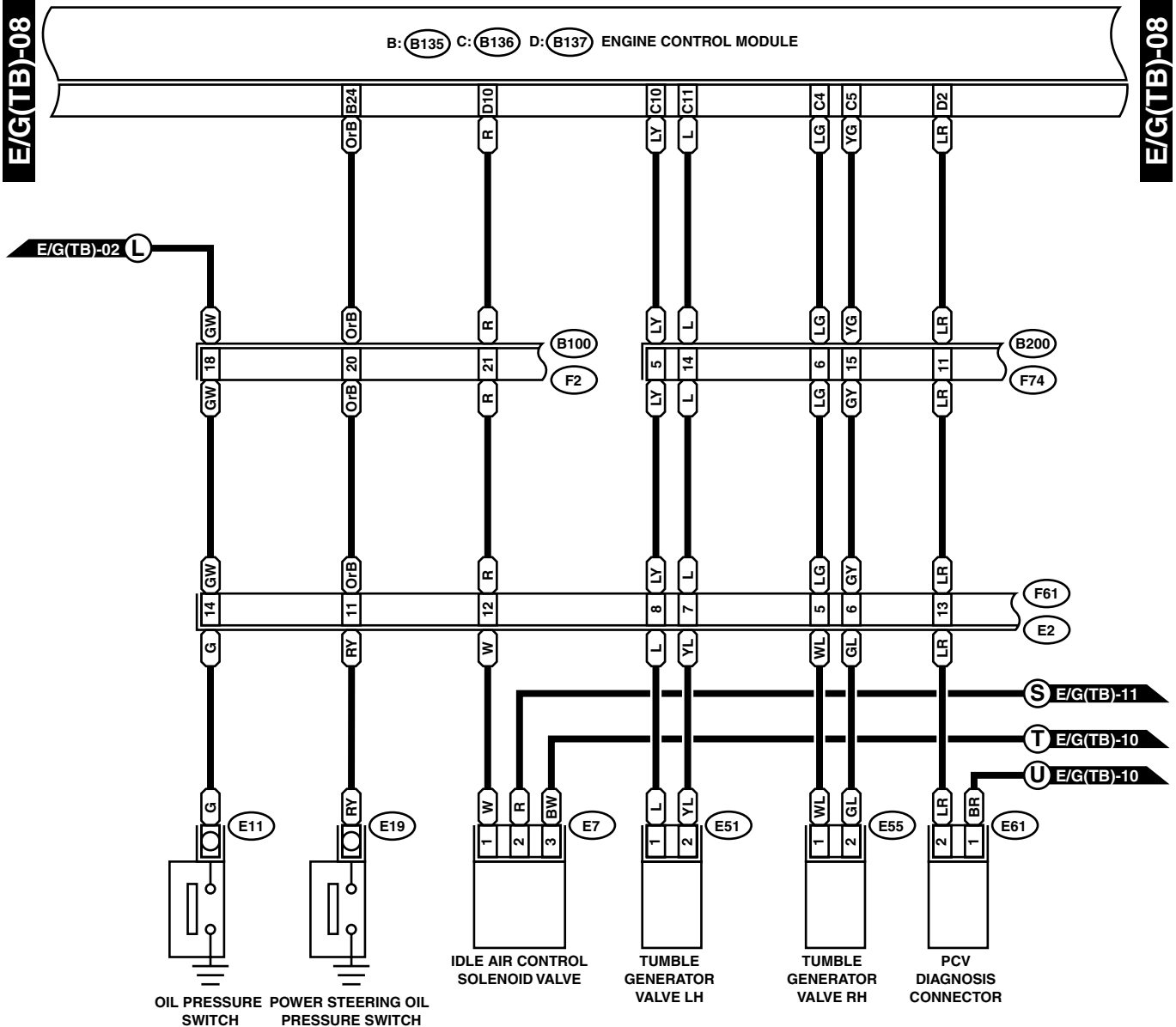
B: B135

1	2	3	4	5	6	7	8	9	
10	11	12	13	14	15	16	17	18	19
20	21	22	23	24	25	26	27	28	

WI-02477

ENGINE ELECTRICAL SYSTEM

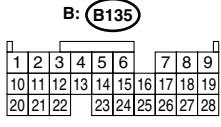
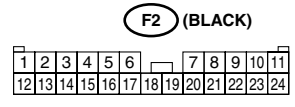
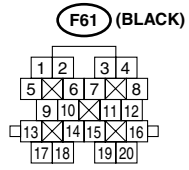
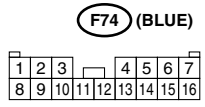
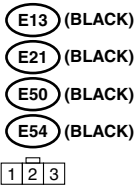
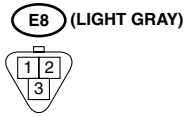
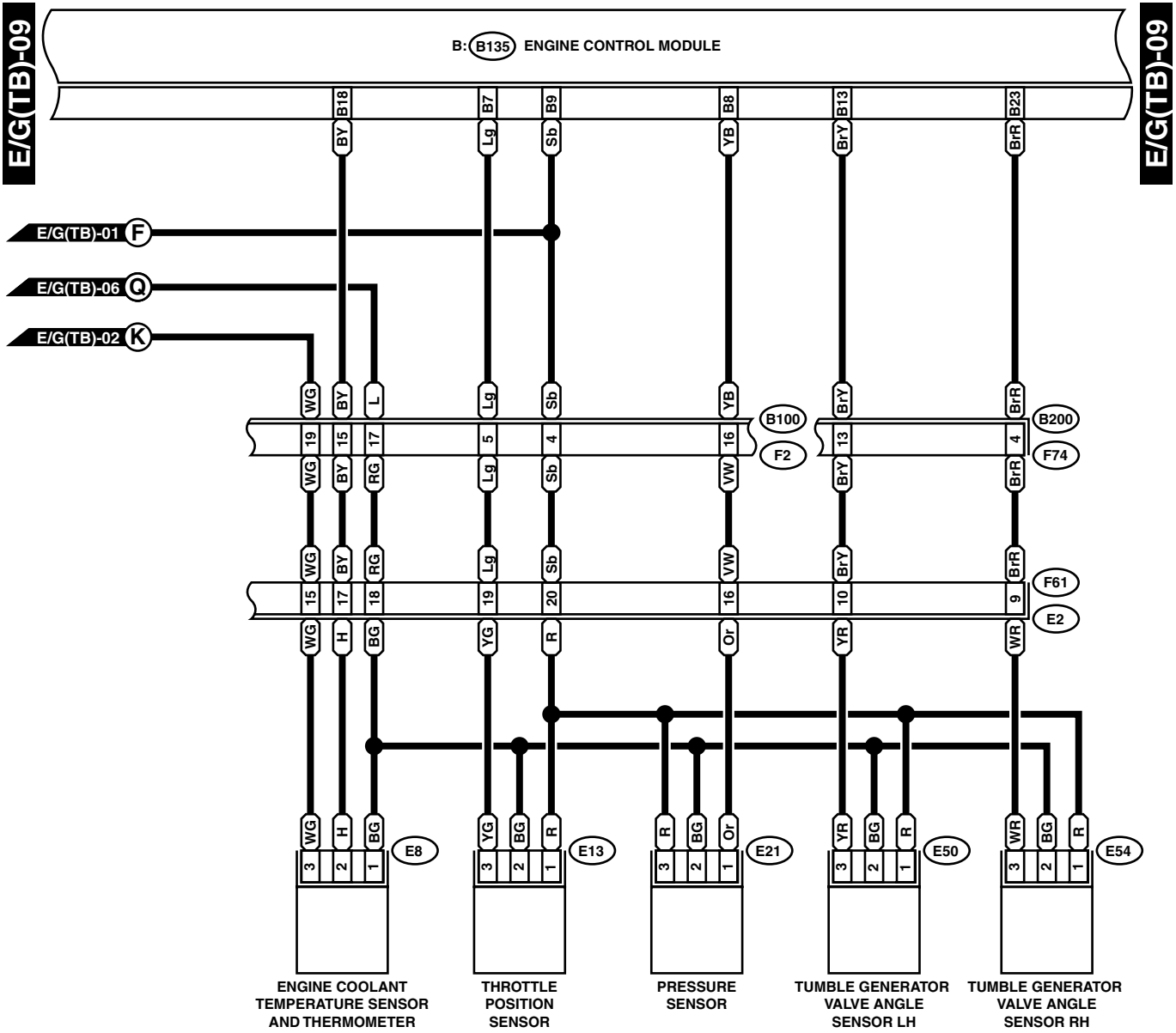
WIRING SYSTEM



WI-02478

ENGINE ELECTRICAL SYSTEM

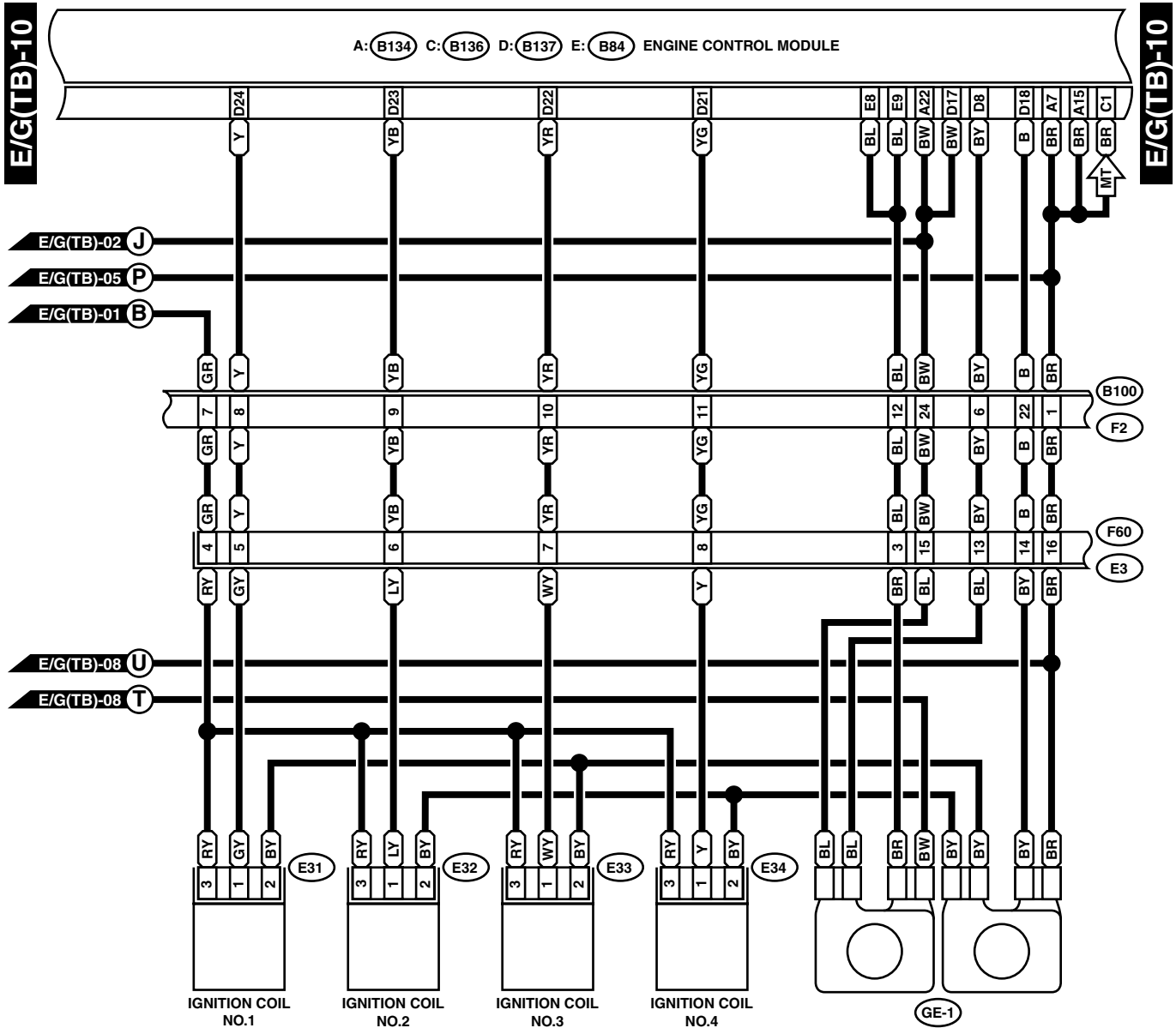
WIRING SYSTEM



WI-02479

ENGINE ELECTRICAL SYSTEM

WIRING SYSTEM



E31

1	2	3	4
5	6	7	8
9	10	11	12
13	14	15	16

E32 (BLACK)

1	2	3	4
5	6	7	8
9	10	11	12
13	14	15	16

E33 (BLACK)

1	2	3	4
5	6	7	8
9	10	11	12
13	14	15	16

F60 (BROWN)

1	2	3	4
5	6	7	8
9	10	11	12
13	14	15	16

C: B136

1	2	3	4	5	6
7	8	9	10	11	12
13	14	15	16	17	

A: B134

1	2	3	4	5	6	7
8	9	10	11	12	13	14
15	16	17	18	19	20	21
22	23	24	25	26	27	28

E34 (BLACK)

1	2	3	4
5	6	7	8
9	10	11	12
13	14	15	16

F2 (BLACK)

1	2	3	4	5	6	7	8	9	10	11
12	13	14	15	16	17	18	19	20	21	22
23	24	25	26	27	28	29	30	31	32	33

D: B137

1	2	3	4	5	6	7
8	9	10	11	12	13	14
15	16	17	18	19	20	21
22	23	24	25	26	27	28

E: B84

1	2	3
---	---	---

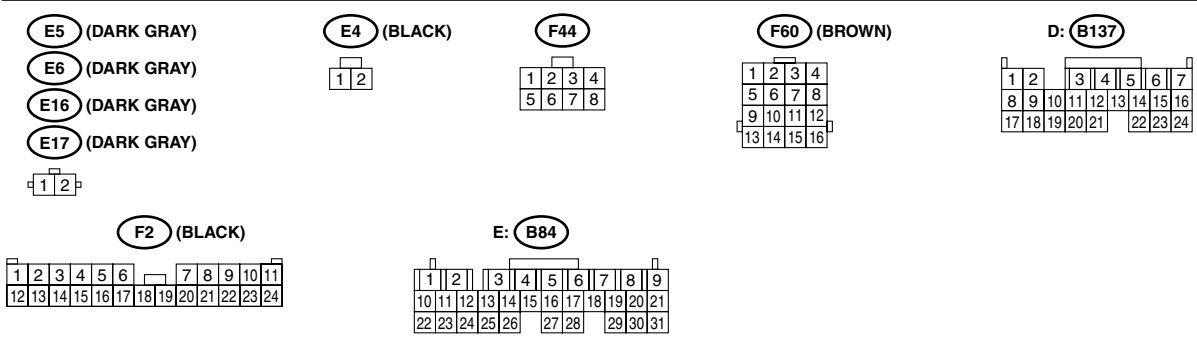
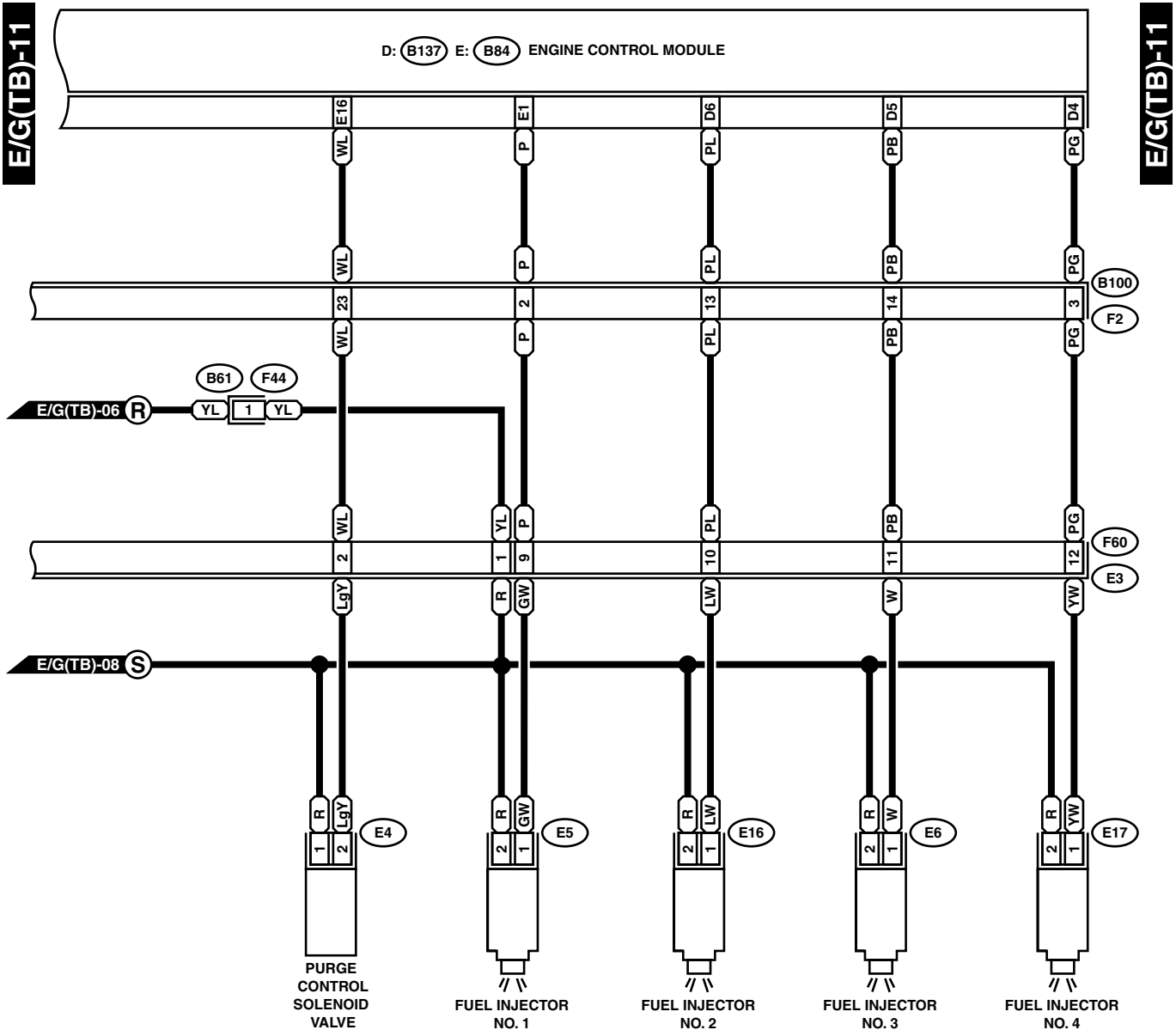
GE-1

1	2	3	4	5	6	7	8	9	10	11	12	13	14	15	16	17	18	19	20	21	22	23	24
---	---	---	---	---	---	---	---	---	----	----	----	----	----	----	----	----	----	----	----	----	----	----	----

WI-02480

ENGINE ELECTRICAL SYSTEM

WIRING SYSTEM

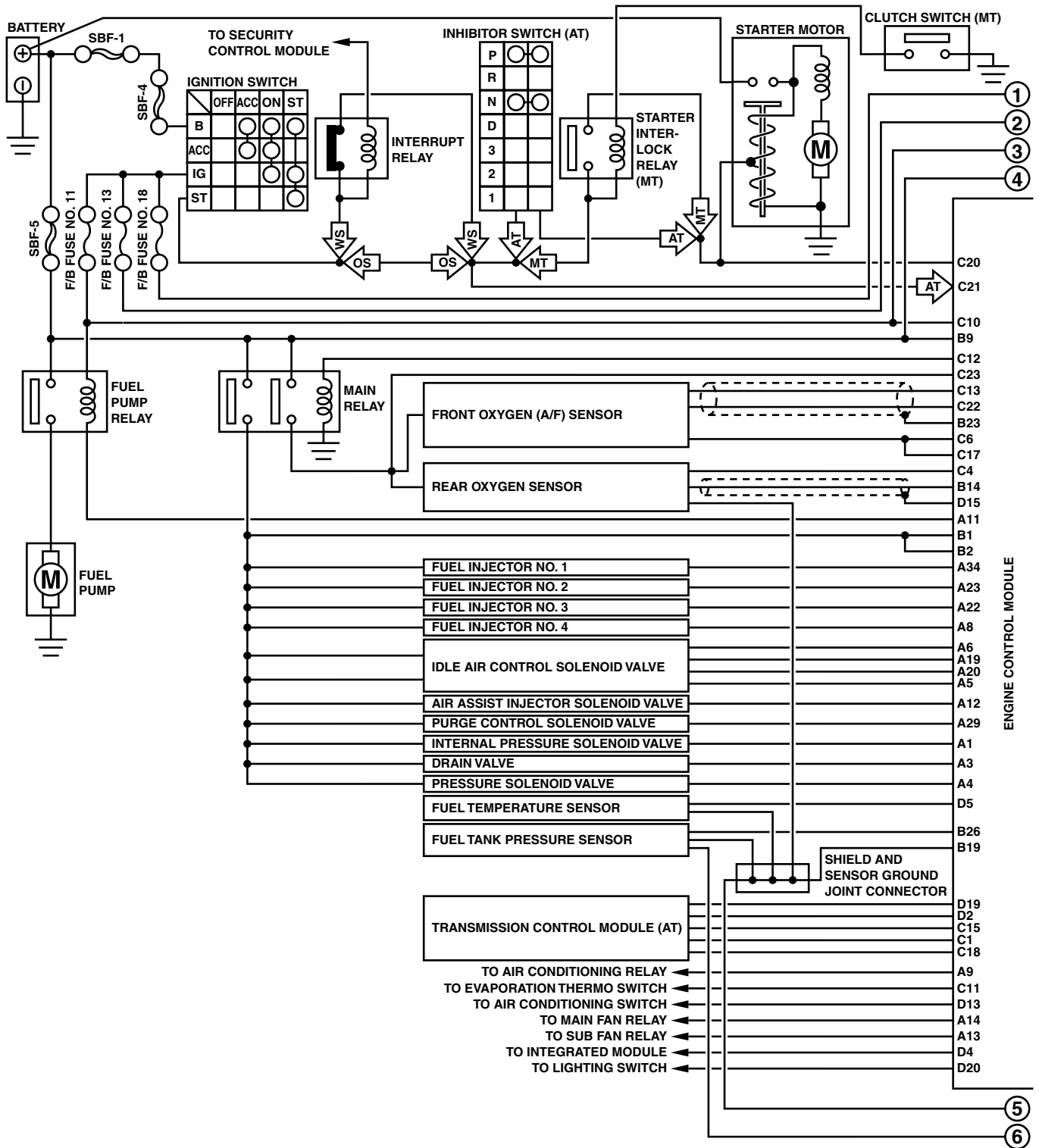


WI-02481

ENGINE ELECTRICAL SYSTEM

WIRING SYSTEM

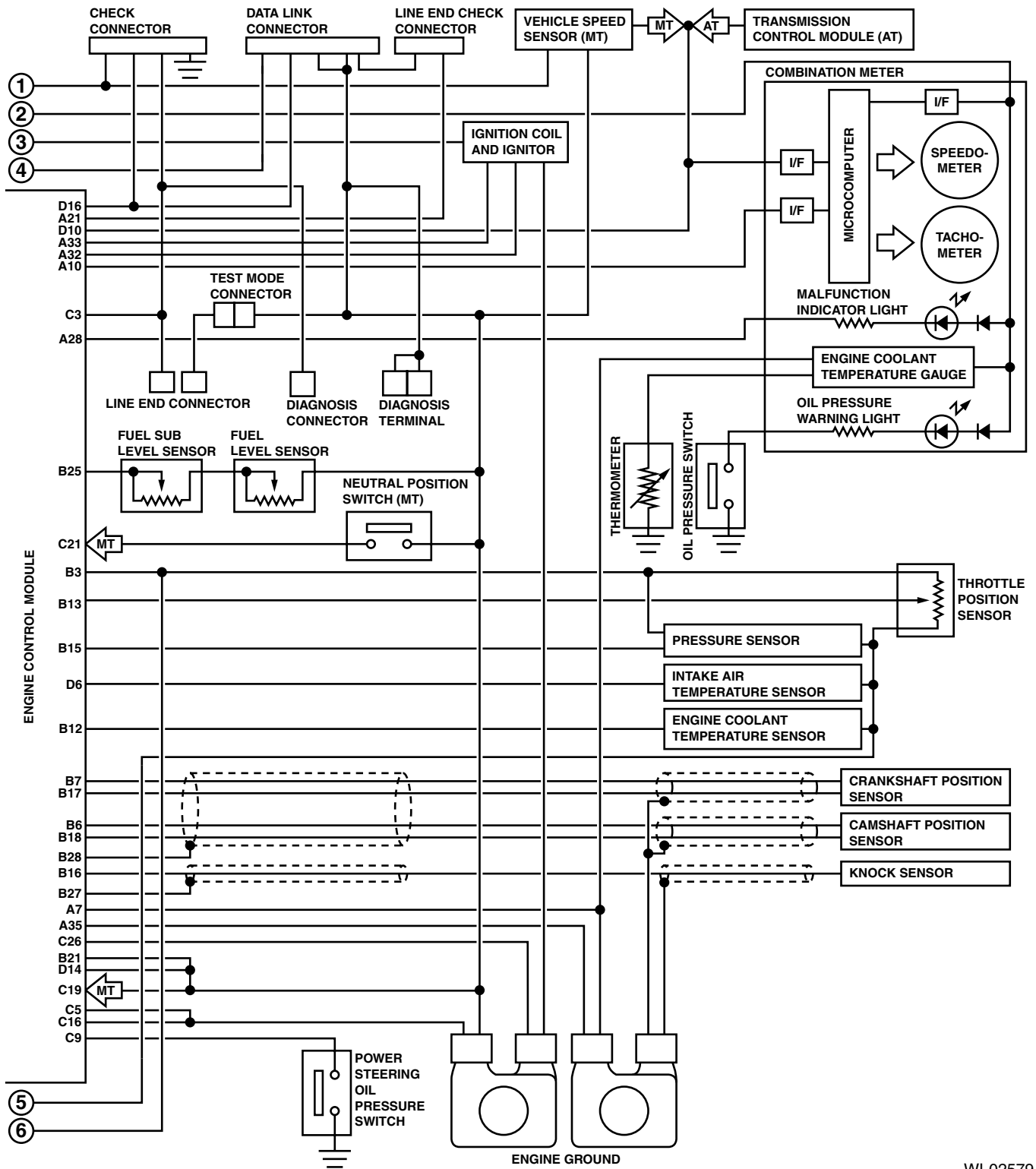
2. SOHC MODEL



WI-02578

ENGINE ELECTRICAL SYSTEM

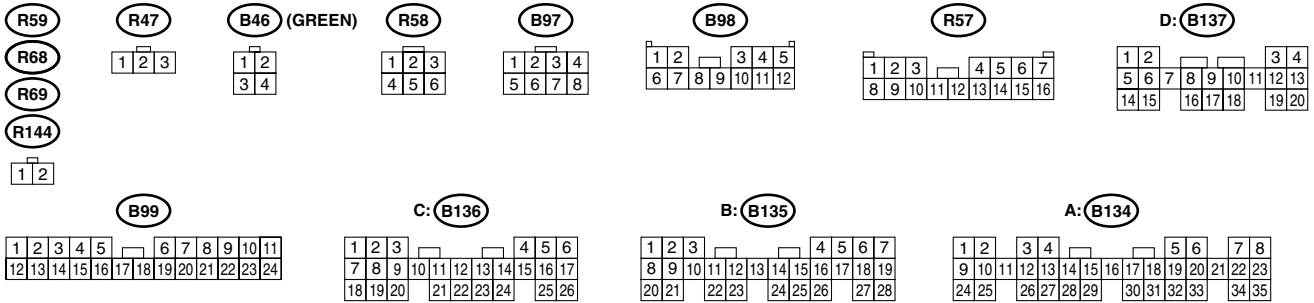
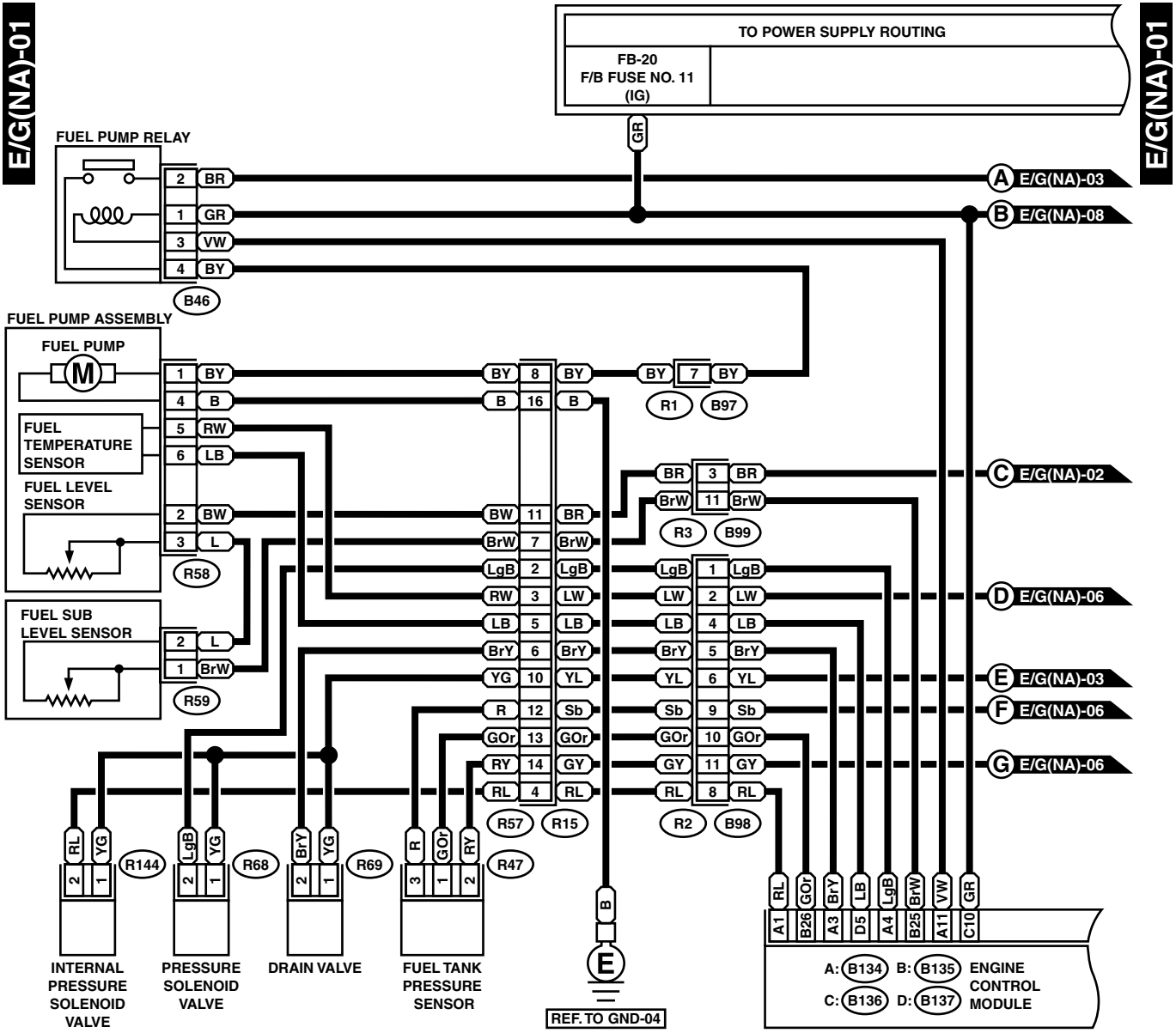
WIRING SYSTEM



WI-02579

ENGINE ELECTRICAL SYSTEM

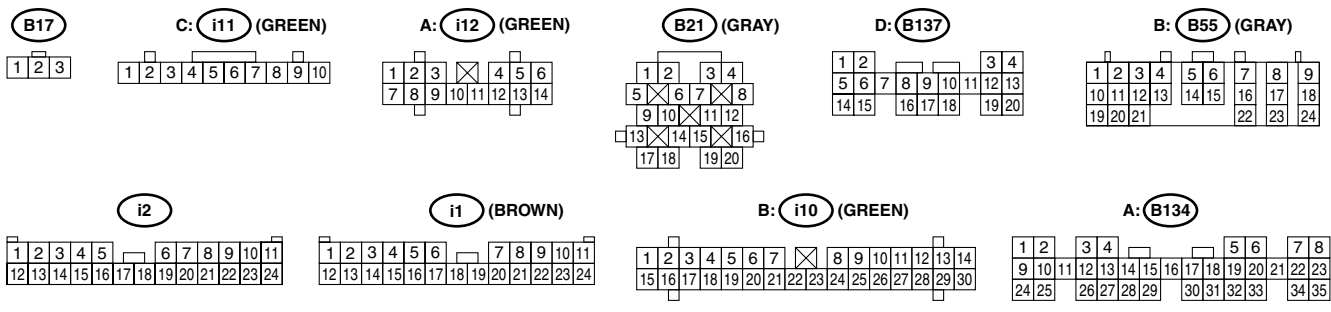
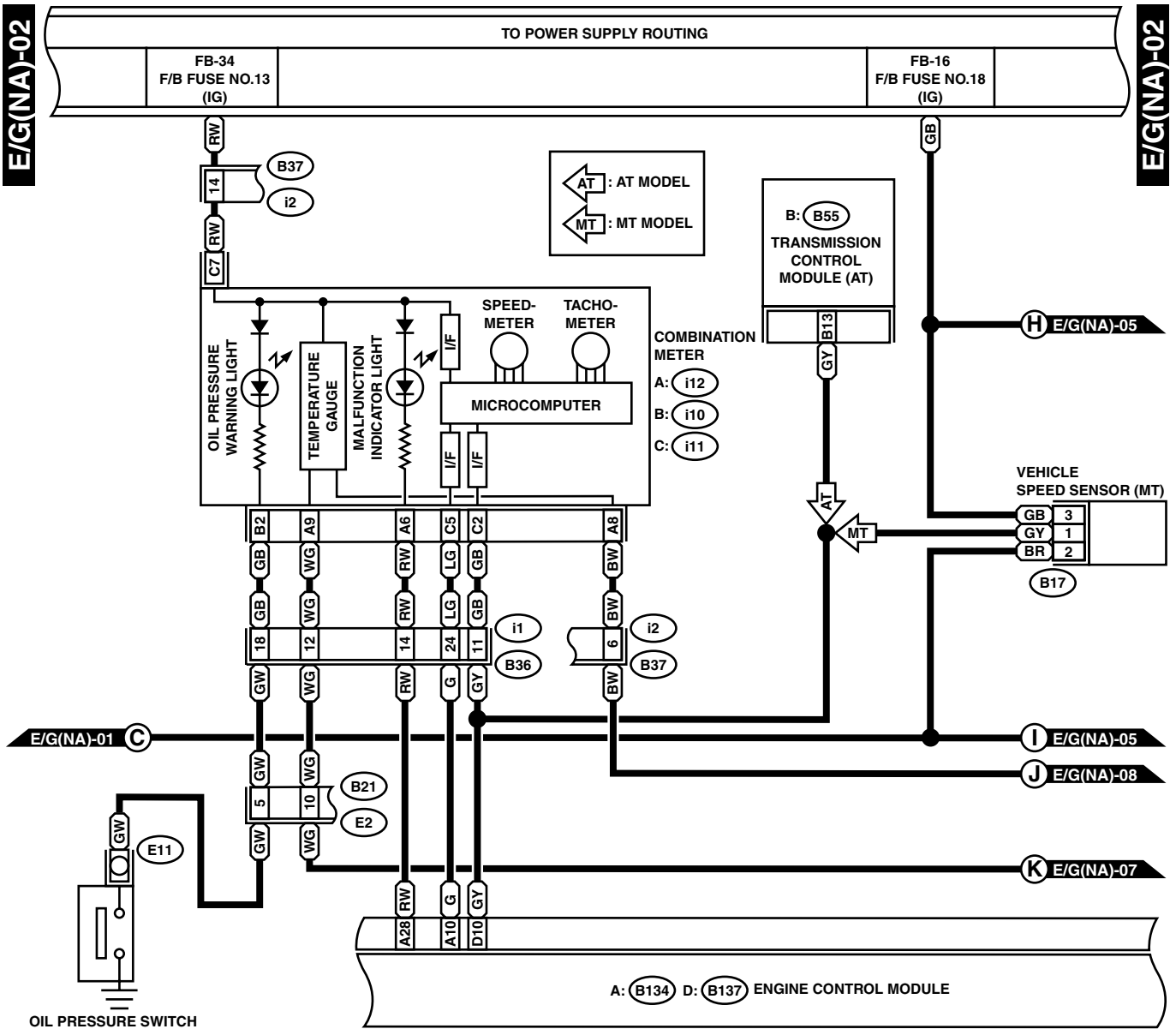
WIRING SYSTEM



WI-02536

ENGINE ELECTRICAL SYSTEM

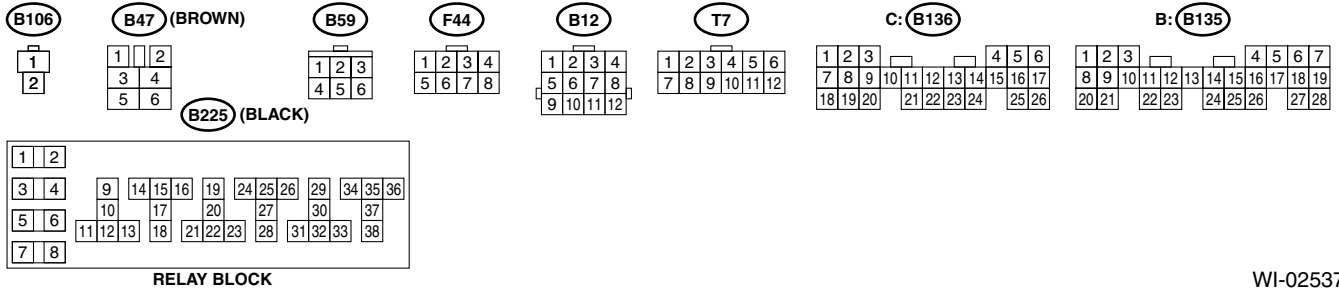
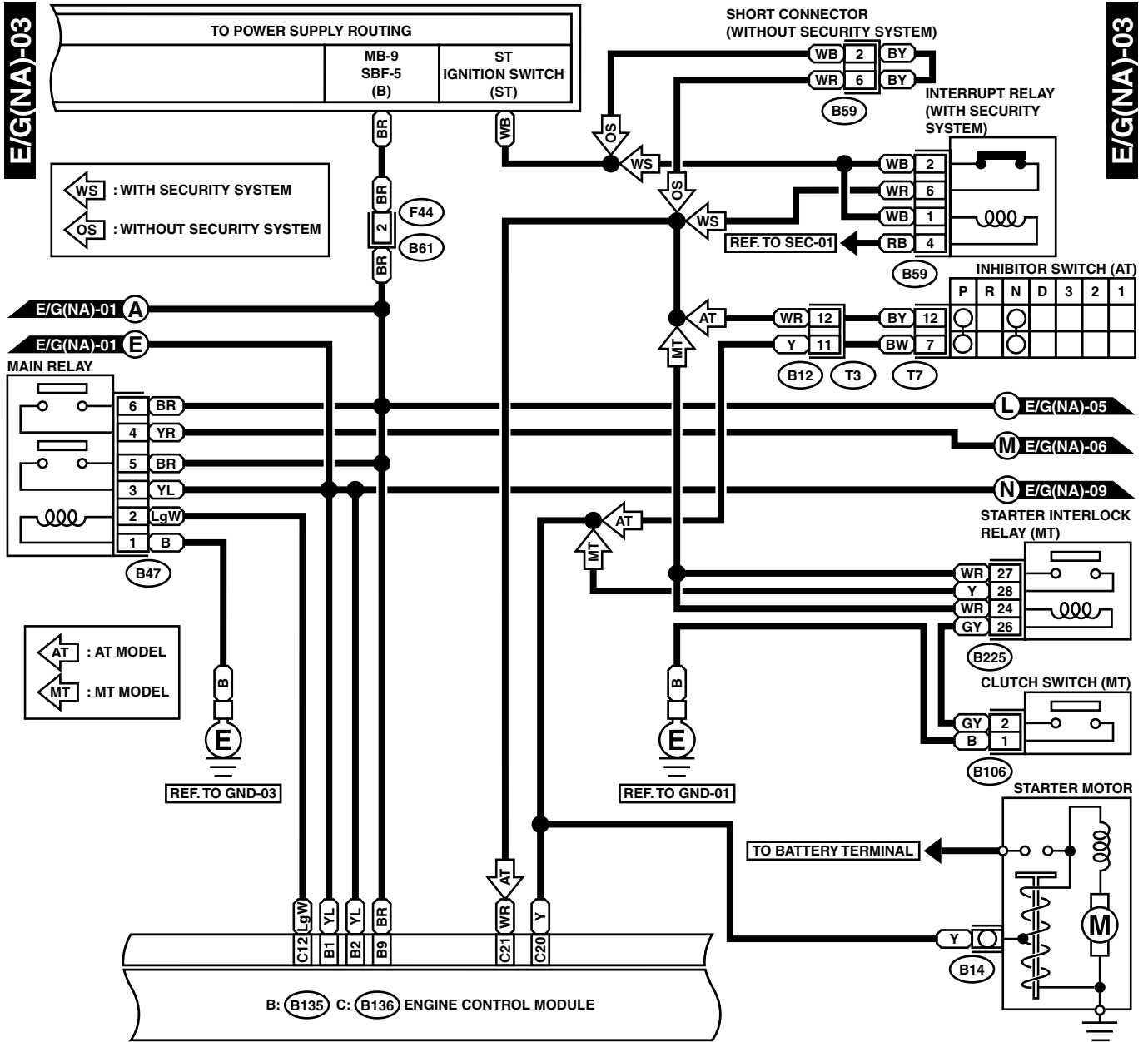
WIRING SYSTEM



WI-02482

ENGINE ELECTRICAL SYSTEM

WIRING SYSTEM



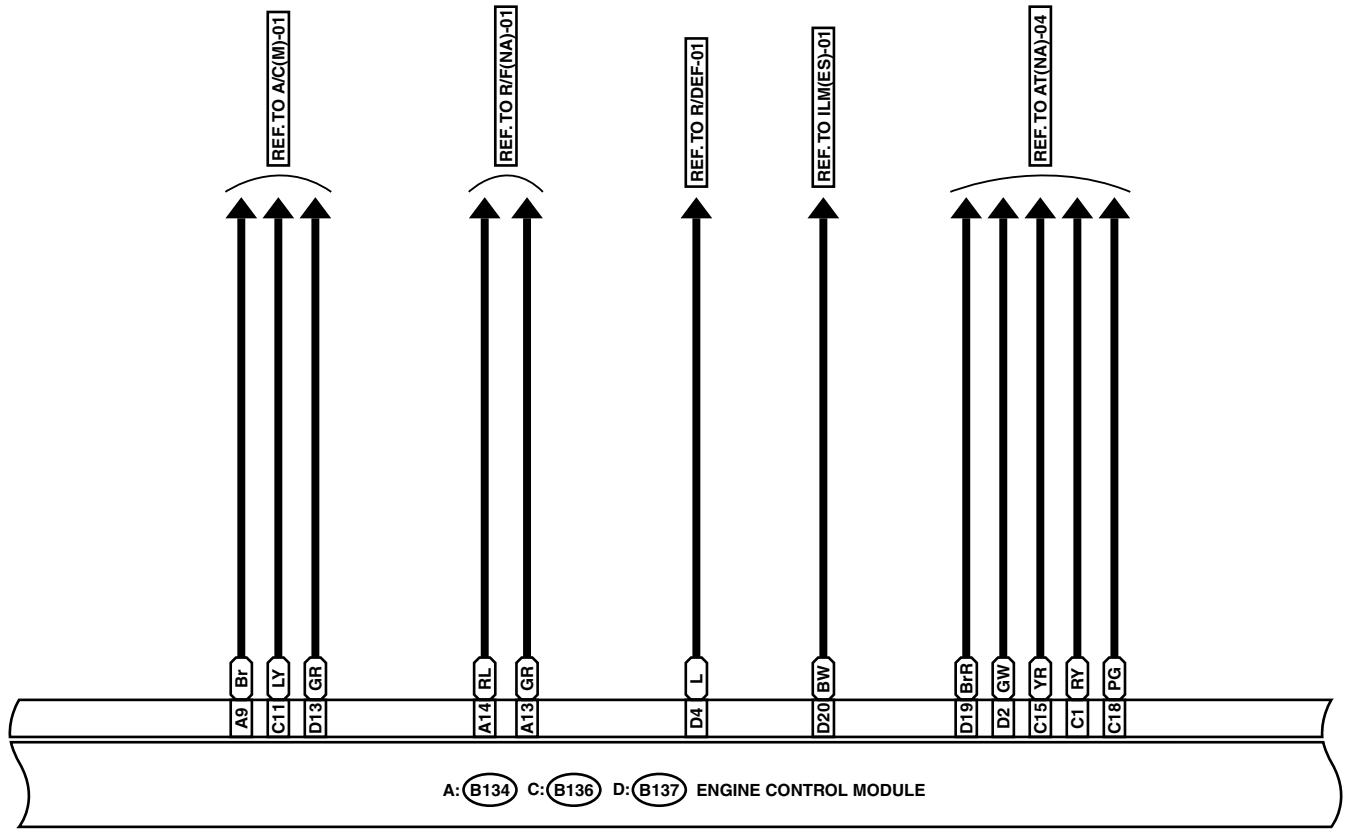
WI-02537

ENGINE ELECTRICAL SYSTEM

WIRING SYSTEM

E/G(NA)-04

E/G(NA)-04



D: (B137)

1	2			3	4
5	6	7	8	9	10
11	12	13			
14	15	16	17	18	19
					20

C: (B136)

1	2	3			4	5	6
7	8	9	10	11	12	13	14
15	16	17					
18	19	20	21	22	23	24	25
							26

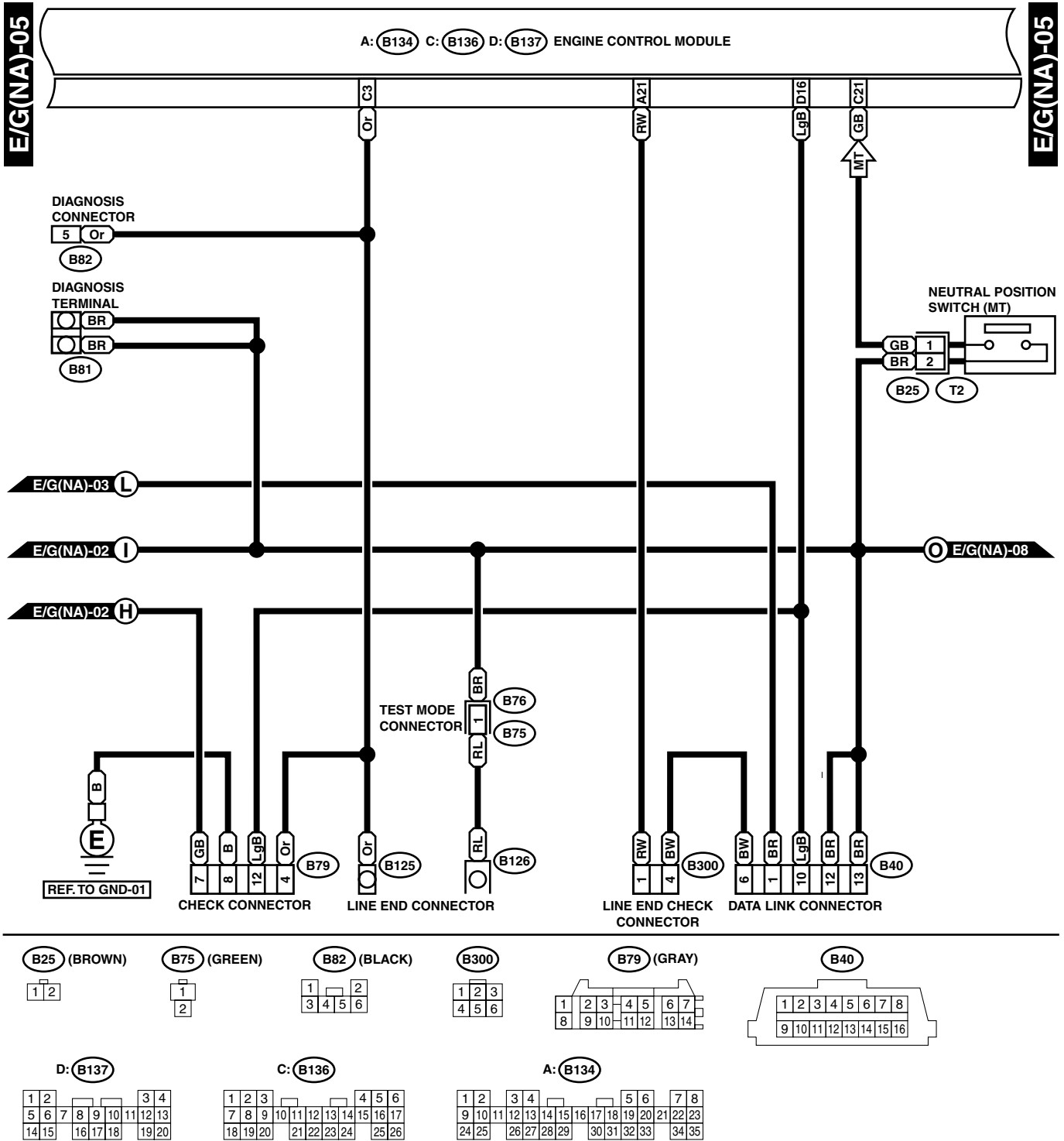
A: (B134)

1	2	3	4			5	6	7	8
9	10	11	12	13	14	15	16	17	18
19	20	21	22	23					
24	25	26	27	28	29	30	31	32	33
									34
									35

WI-02538

ENGINE ELECTRICAL SYSTEM

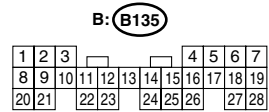
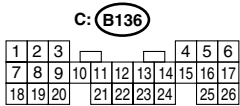
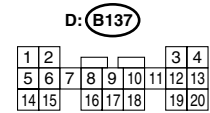
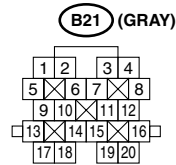
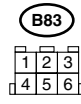
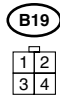
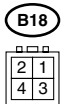
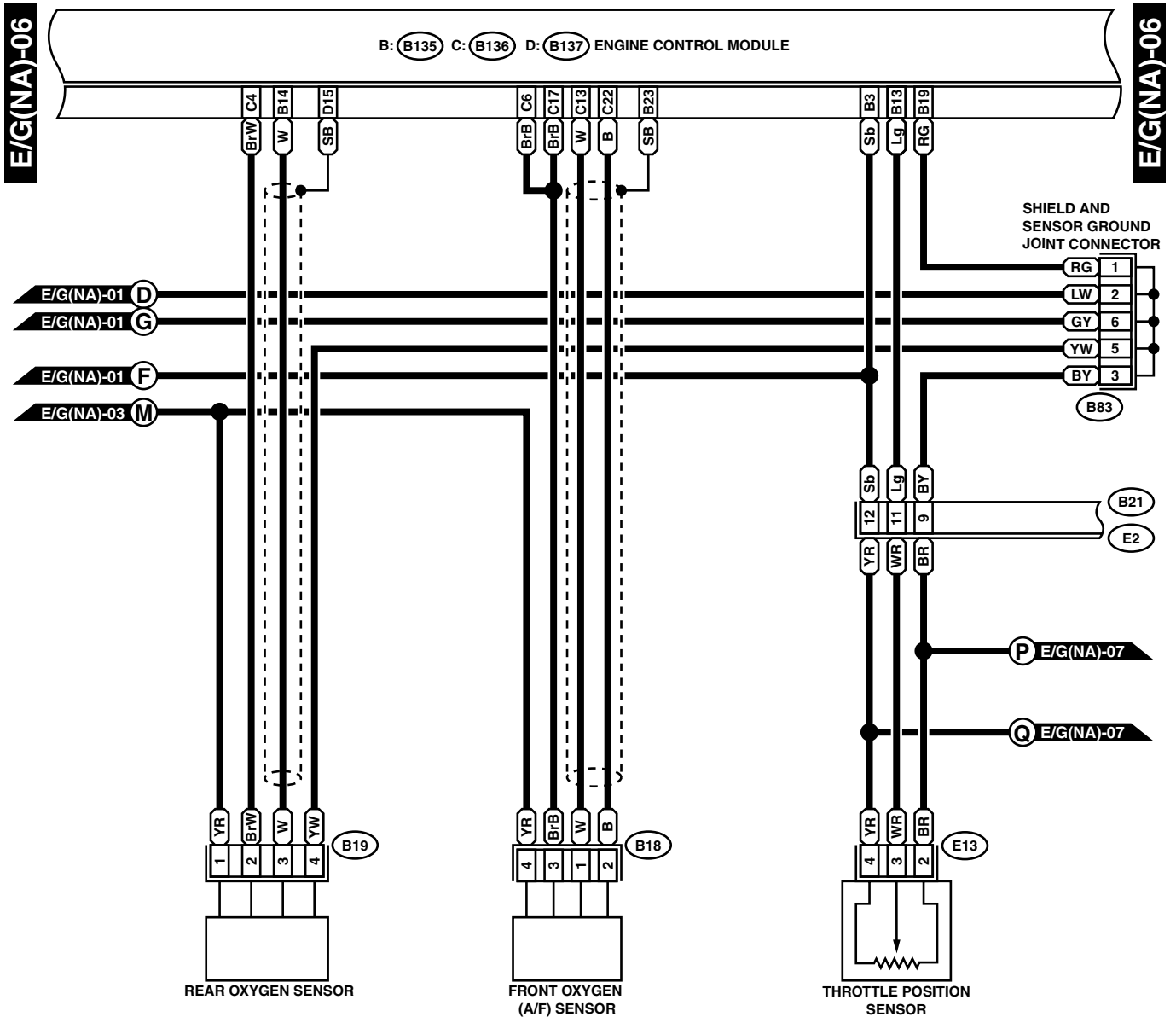
WIRING SYSTEM



WI-02539

ENGINE ELECTRICAL SYSTEM

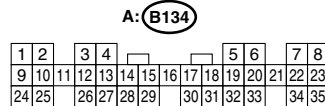
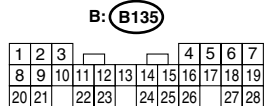
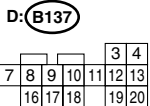
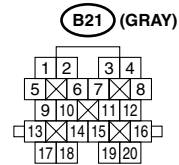
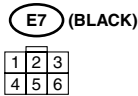
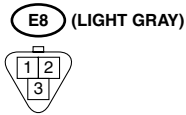
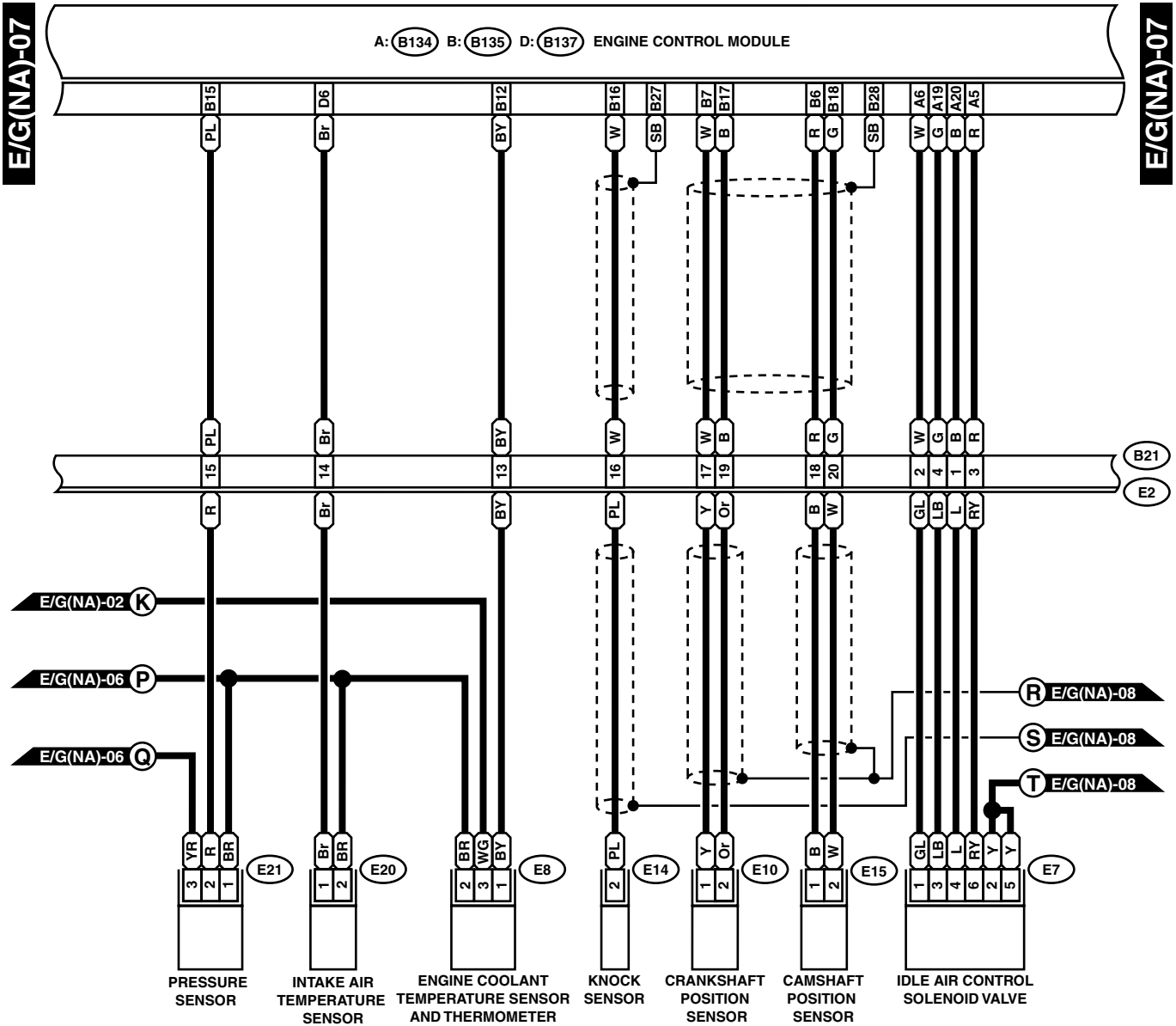
WIRING SYSTEM



WI-02483

ENGINE ELECTRICAL SYSTEM

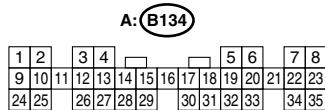
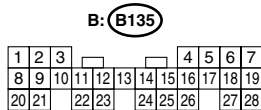
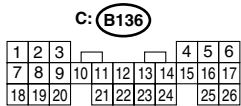
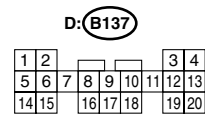
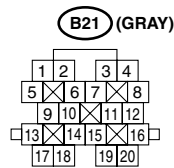
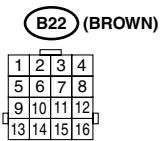
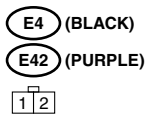
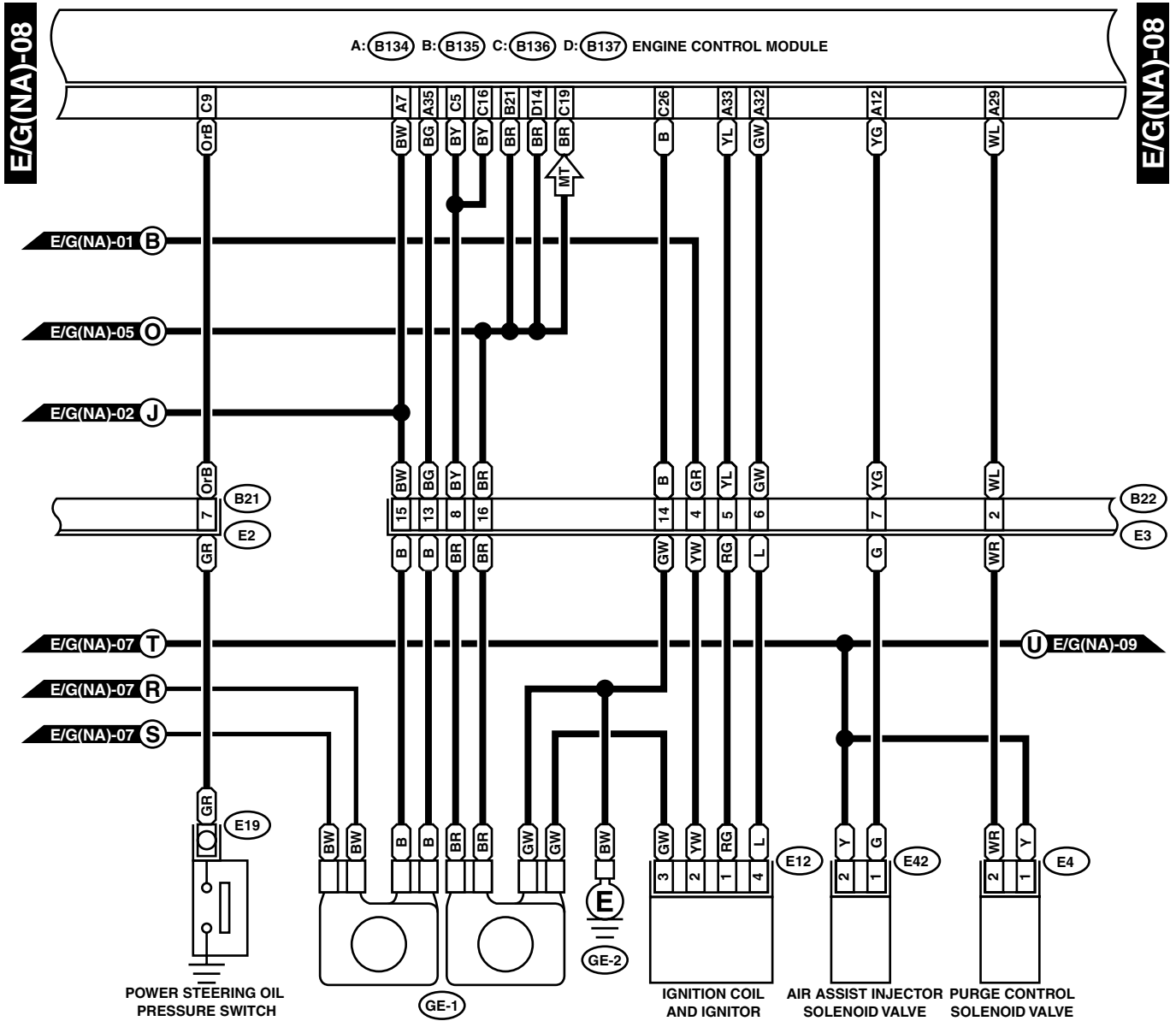
WIRING SYSTEM



WI-02484

ENGINE ELECTRICAL SYSTEM

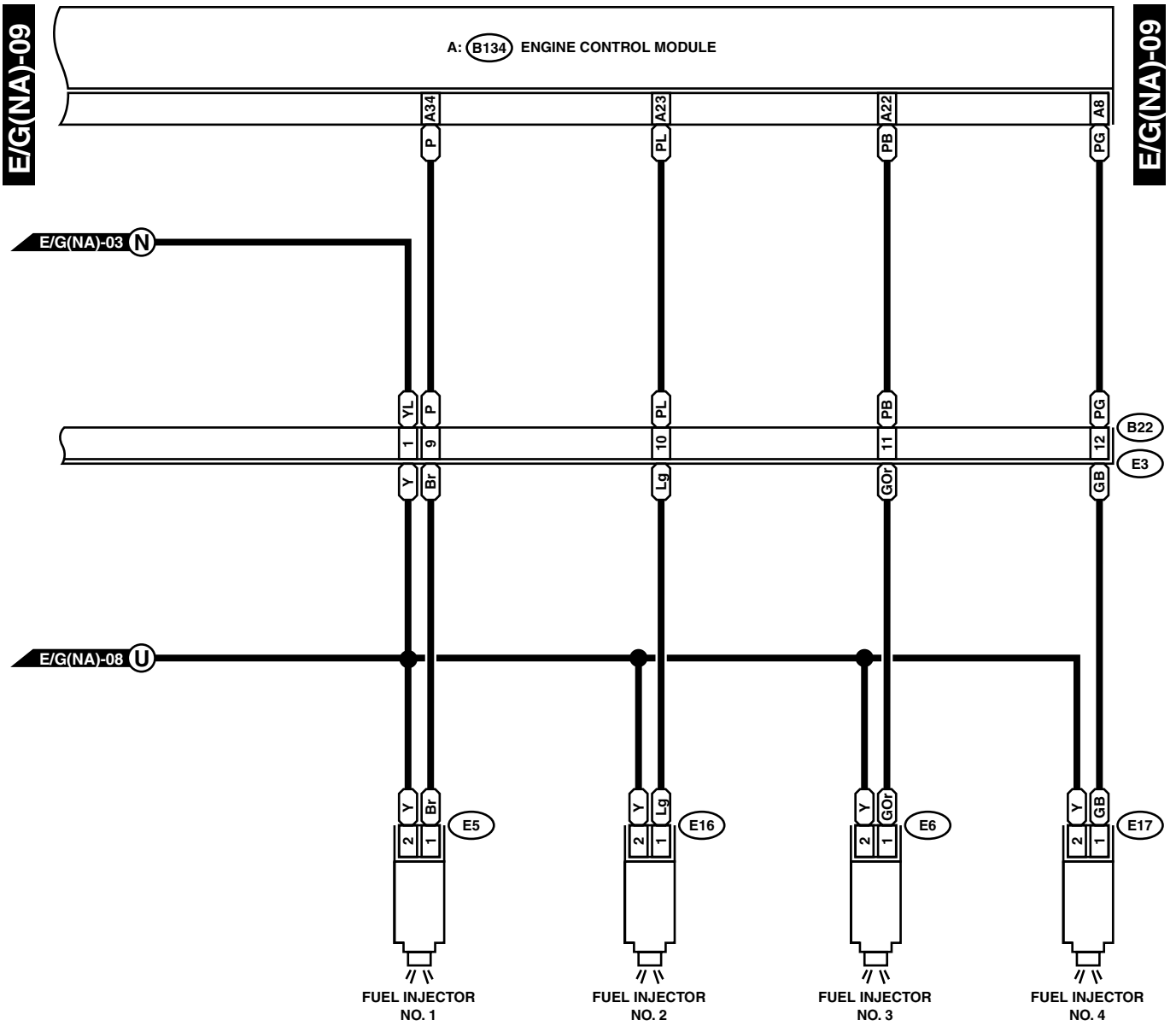
WIRING SYSTEM



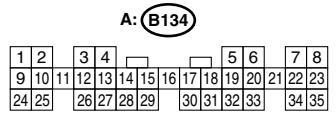
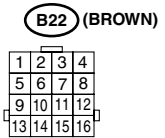
WI-02485

ENGINE ELECTRICAL SYSTEM

WIRING SYSTEM



- (E5) (LIGHT GRAY)
- (E6) (LIGHT GRAY)
- (E16) (LIGHT GRAY)
- (E17) (LIGHT GRAY)

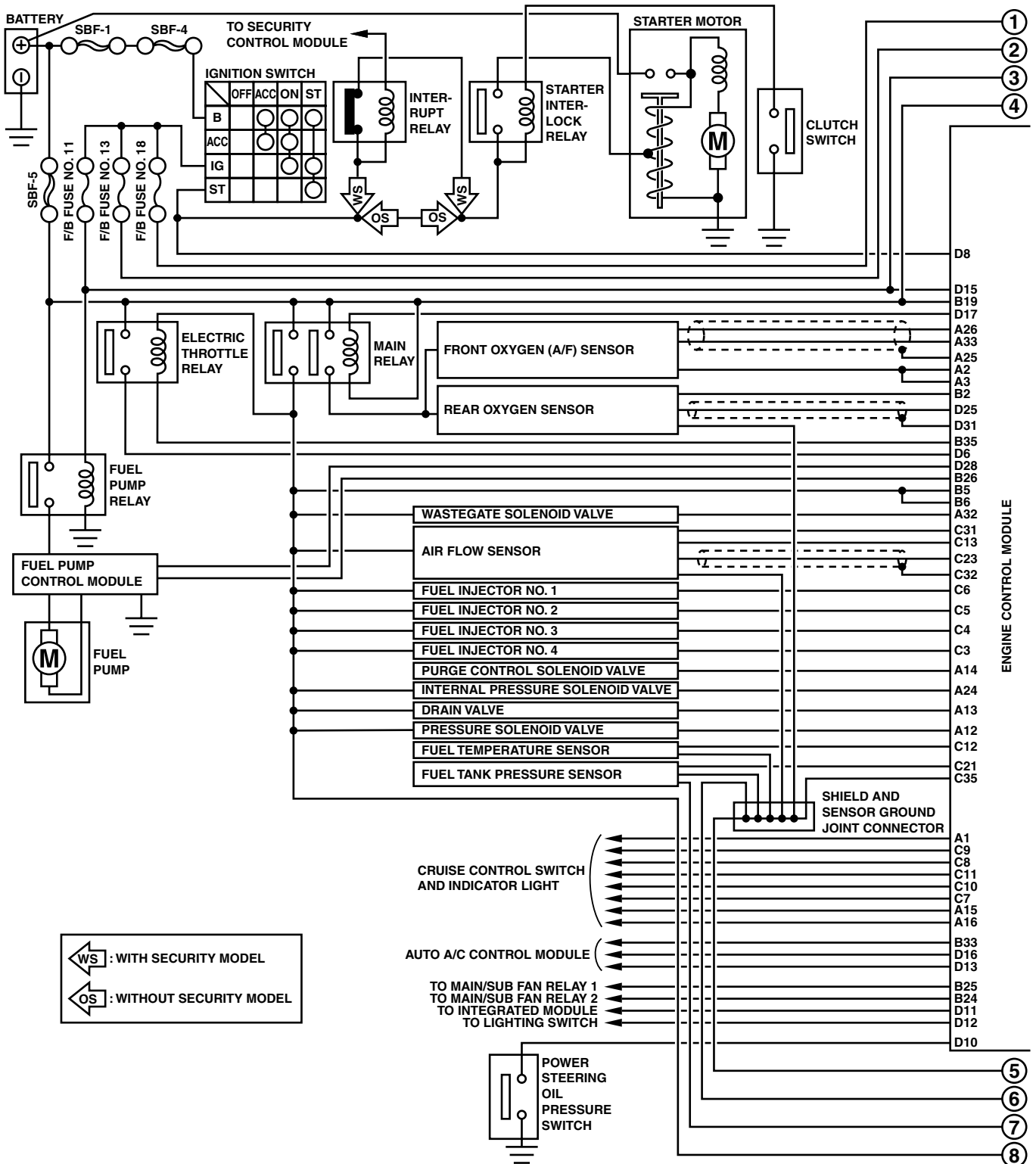


WI-02540

ENGINE ELECTRICAL SYSTEM

WIRING SYSTEM

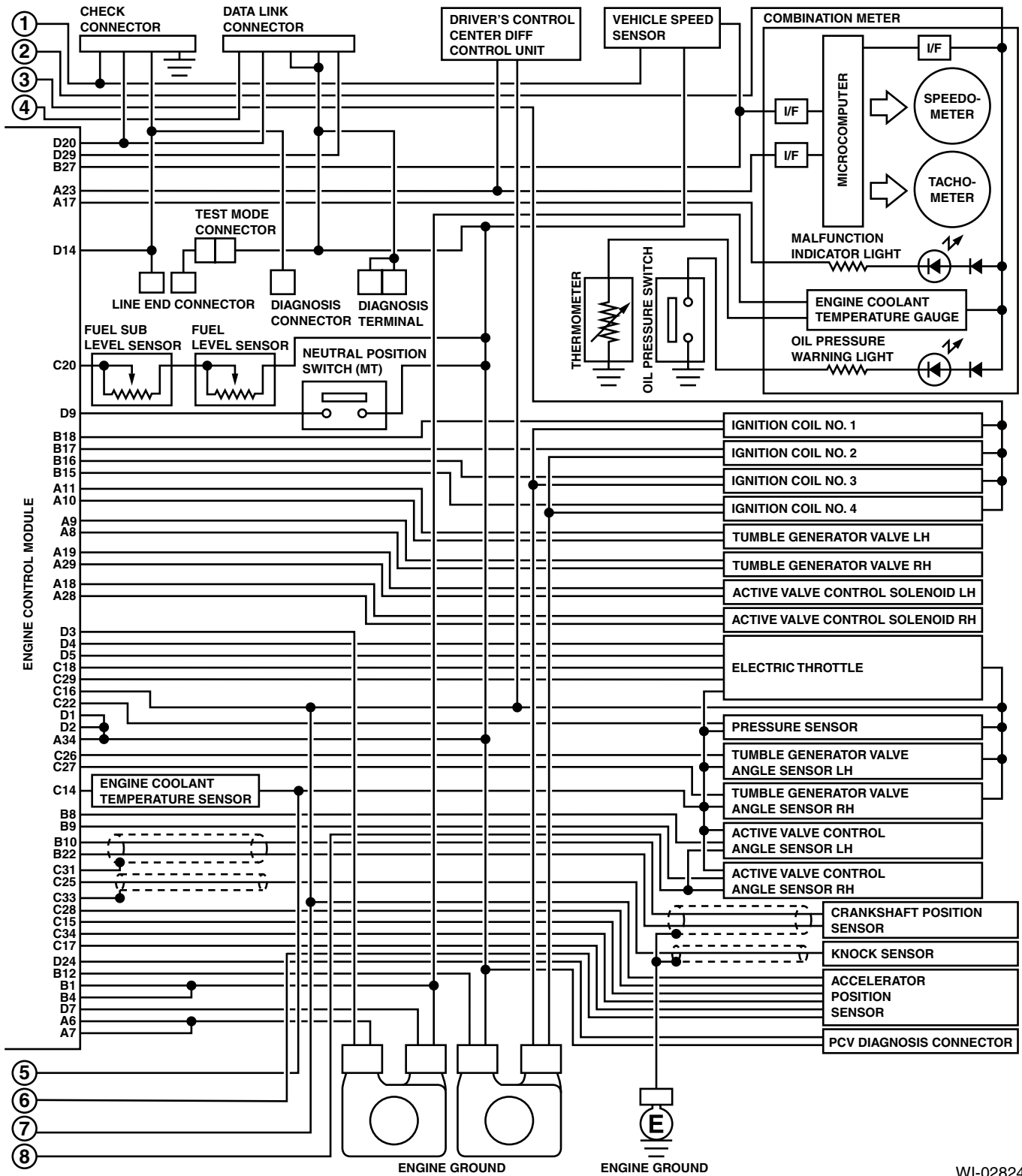
3. STi MODEL



WI-02823

ENGINE ELECTRICAL SYSTEM

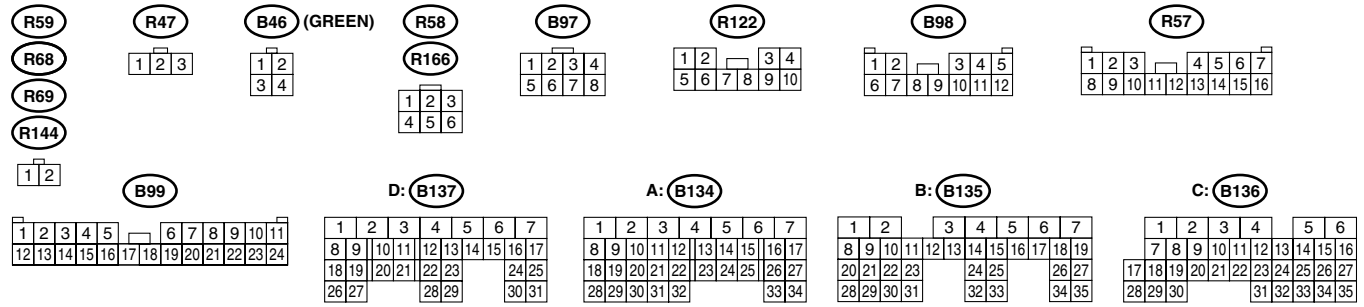
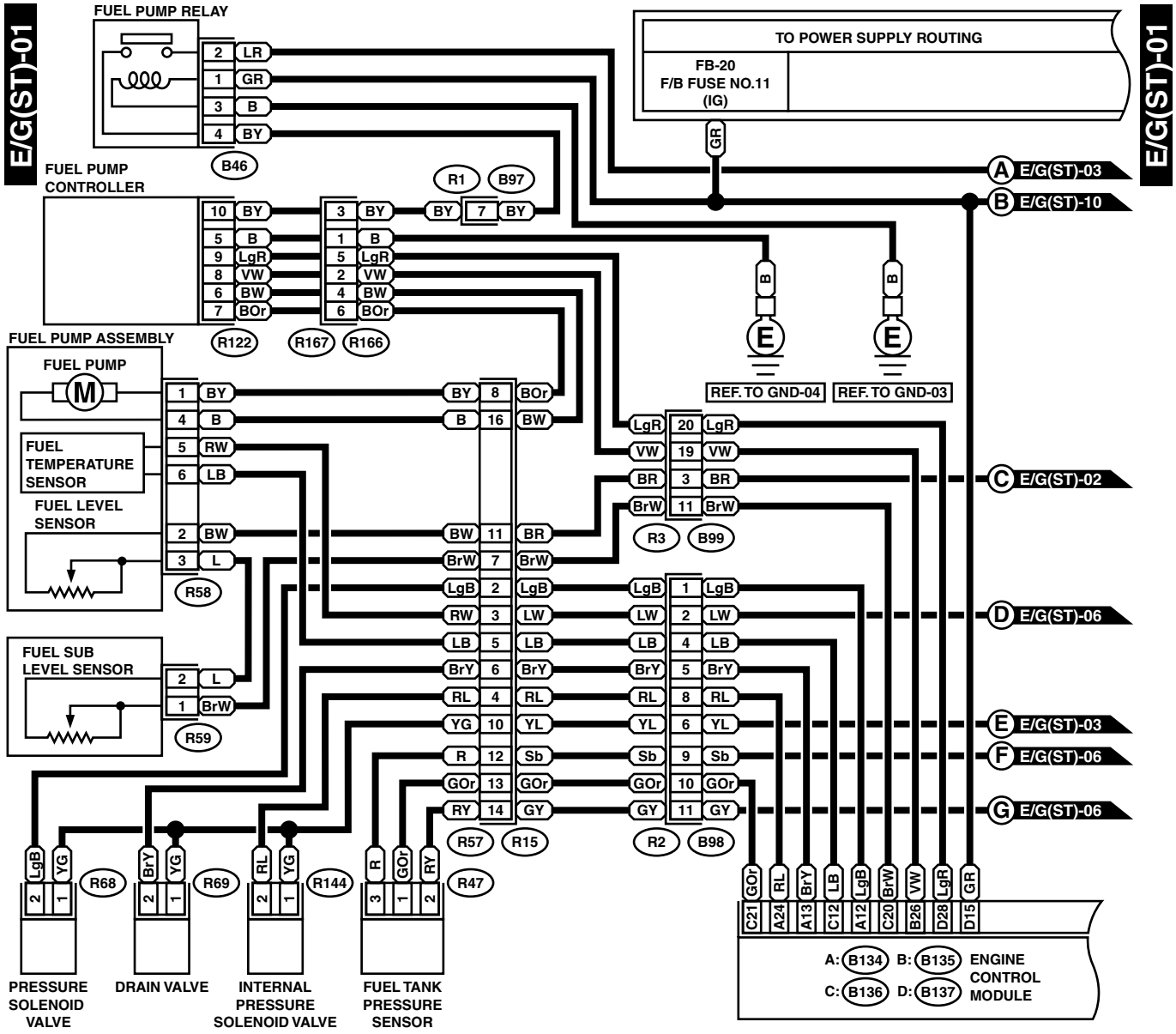
WIRING SYSTEM



WI-02824

ENGINE ELECTRICAL SYSTEM

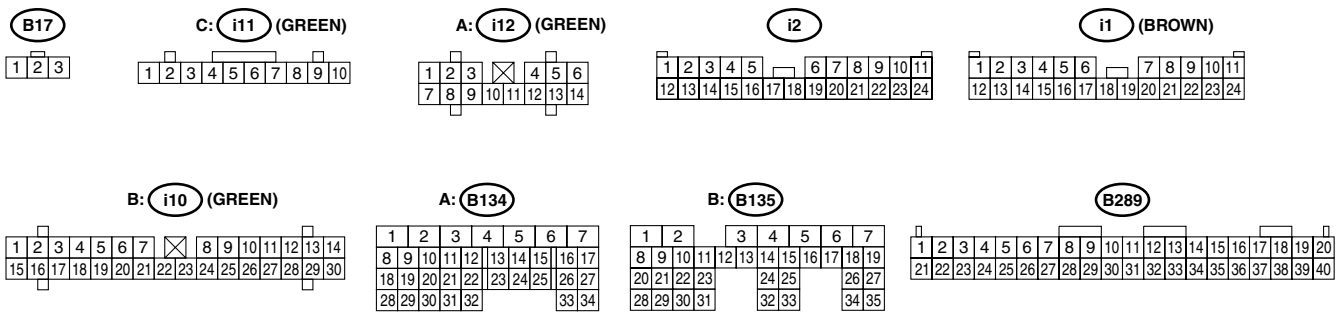
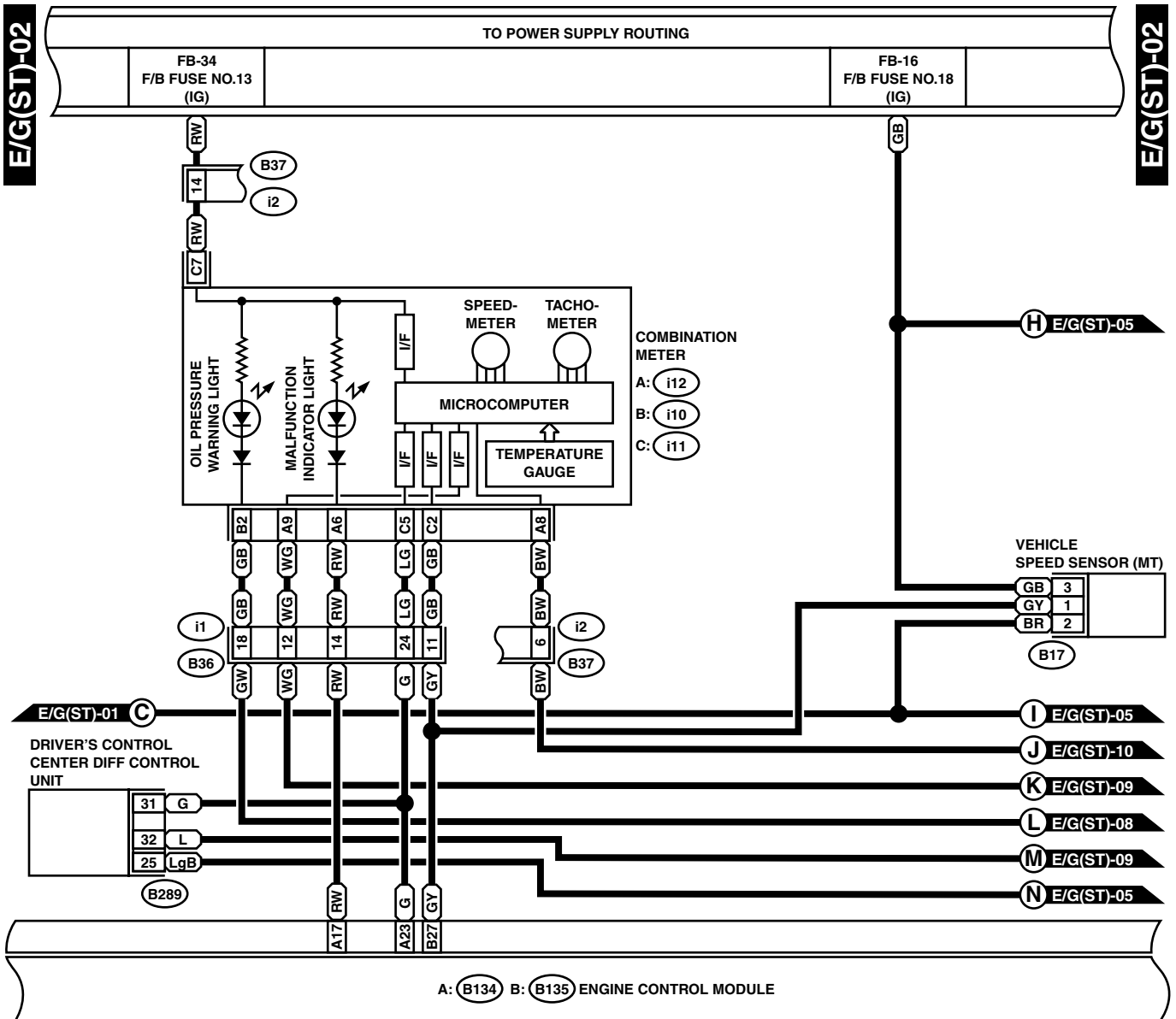
WIRING SYSTEM



WI-02806

ENGINE ELECTRICAL SYSTEM

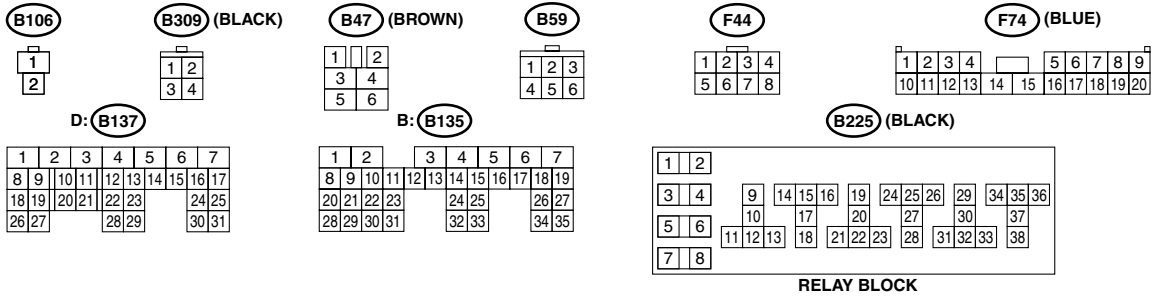
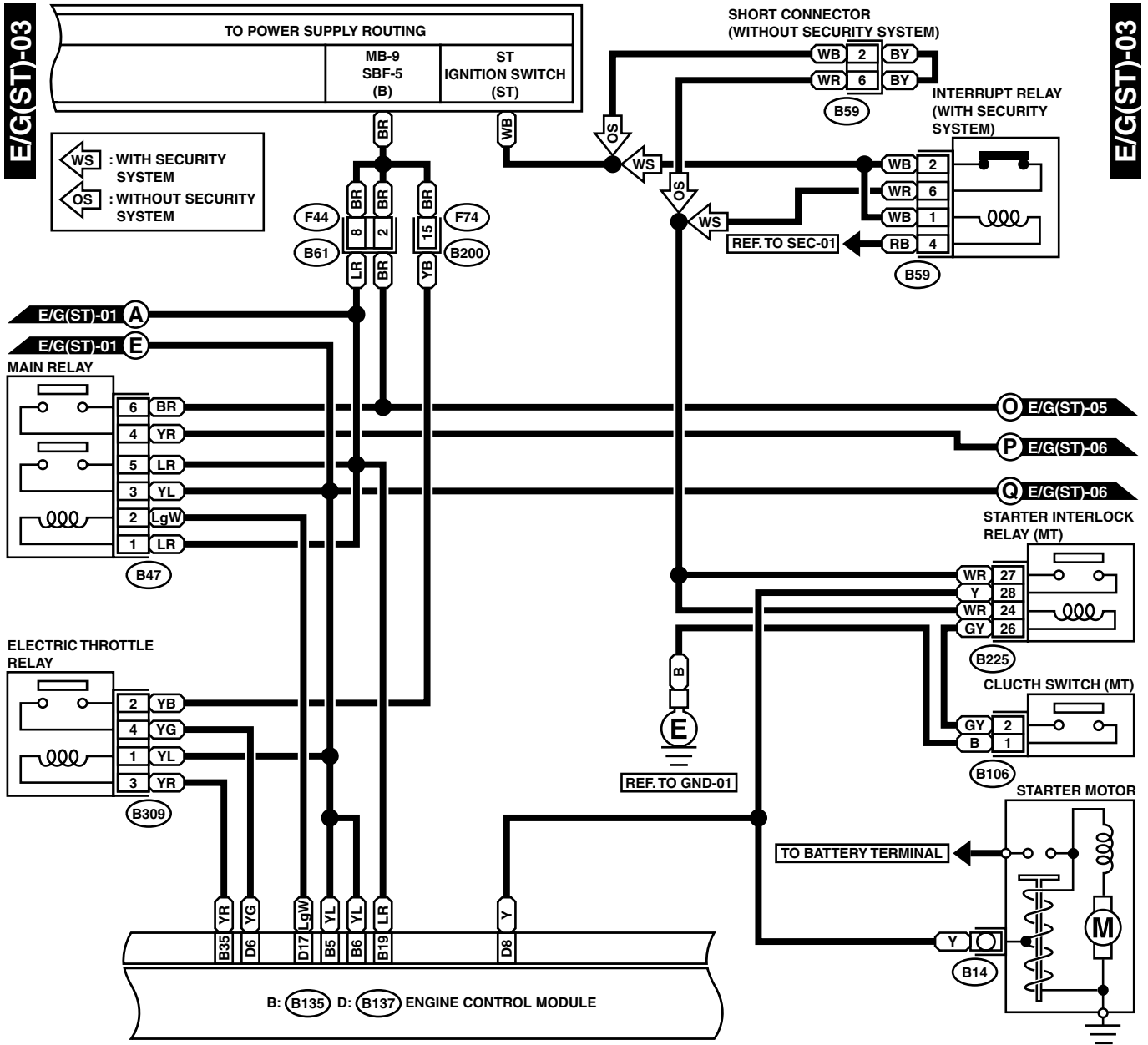
WIRING SYSTEM



WI-02807

ENGINE ELECTRICAL SYSTEM

WIRING SYSTEM



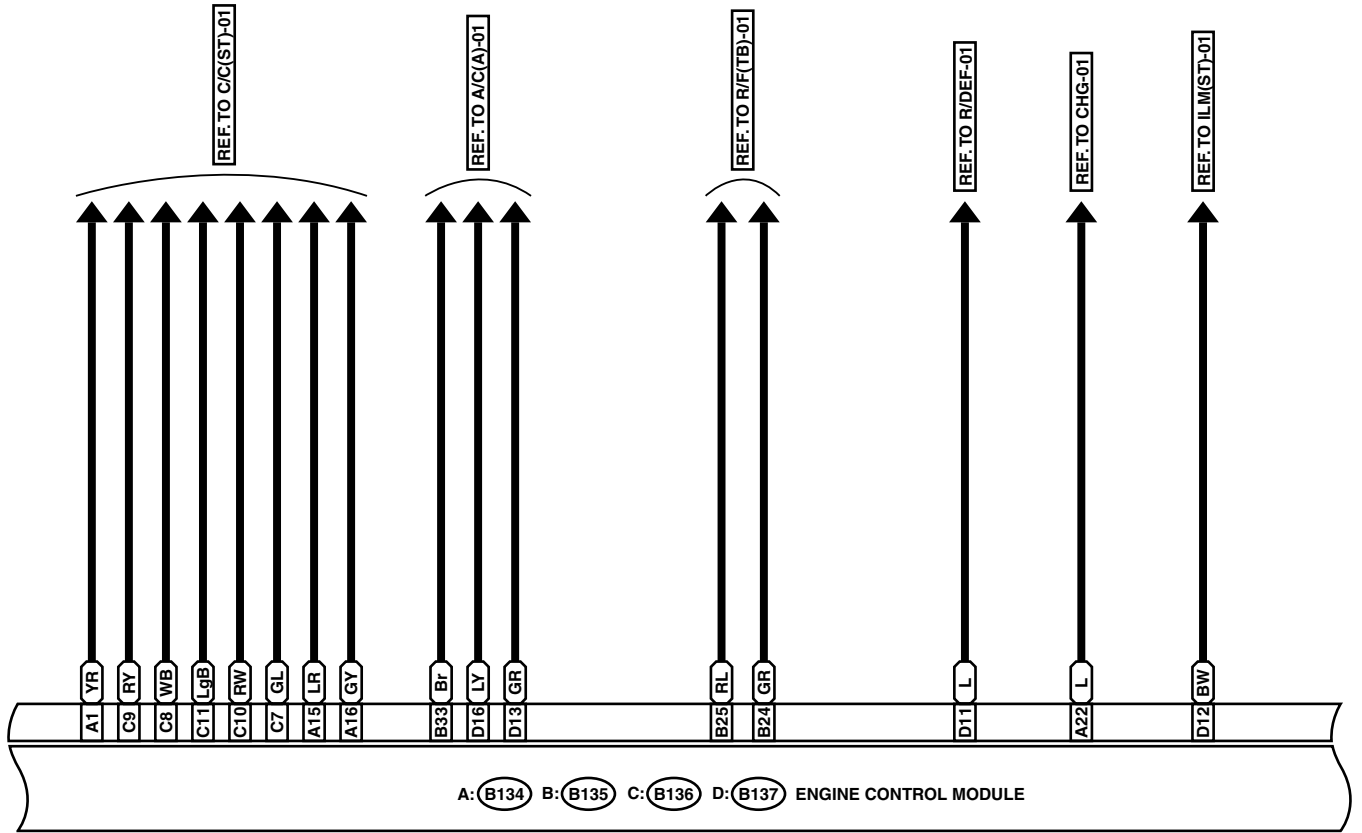
WI-02808

ENGINE ELECTRICAL SYSTEM

WIRING SYSTEM

E/G(ST)-04

E/G(ST)-04



D: (B137)

1	2	3	4	5	6	7
8	9	10	11	12	13	14
15	16	17	18	19	20	21
22	23	24	25	26	27	
28	29	30	31			

A: (B134)

1	2	3	4	5	6	7
8	9	10	11	12	13	14
15	16	17	18	19	20	21
22	23	24	25	26	27	
28	29	30	31	32	33	34

B: (B135)

1	2	3	4	5	6	7
8	9	10	11	12	13	14
15	16	17	18	19	20	21
22	23	24	25	26	27	
28	29	30	31	32	33	34
35						

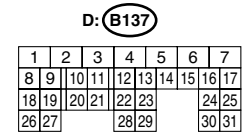
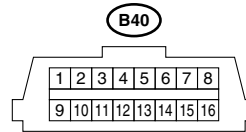
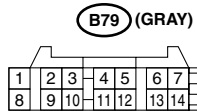
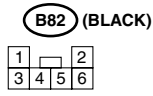
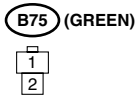
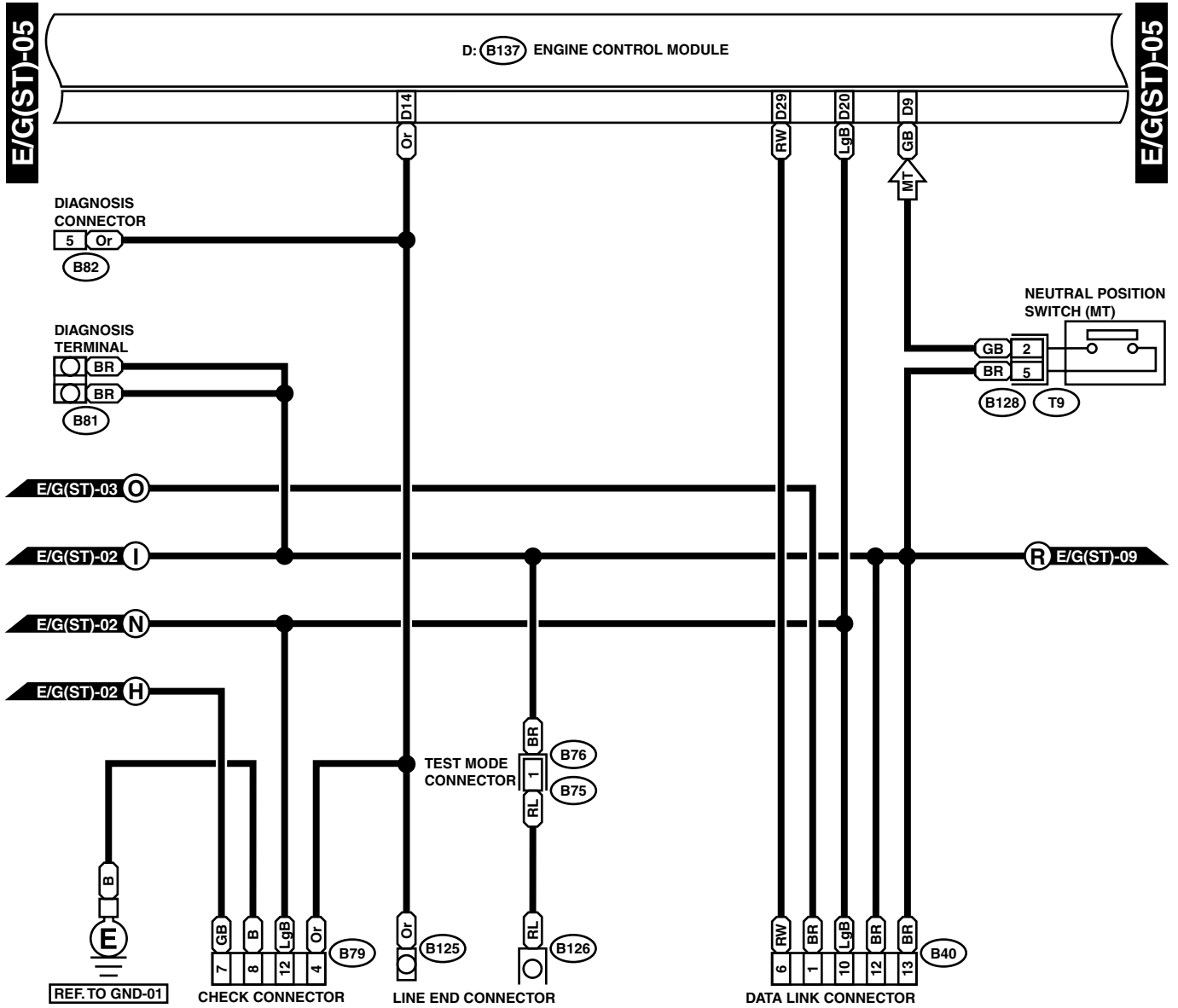
C: (B136)

1	2	3	4	5	6
7	8	9	10	11	12
13	14	15	16	17	18
19	20	21	22	23	24
25	26	27	28	29	30
31	32	33	34	35	

WI-02809

ENGINE ELECTRICAL SYSTEM

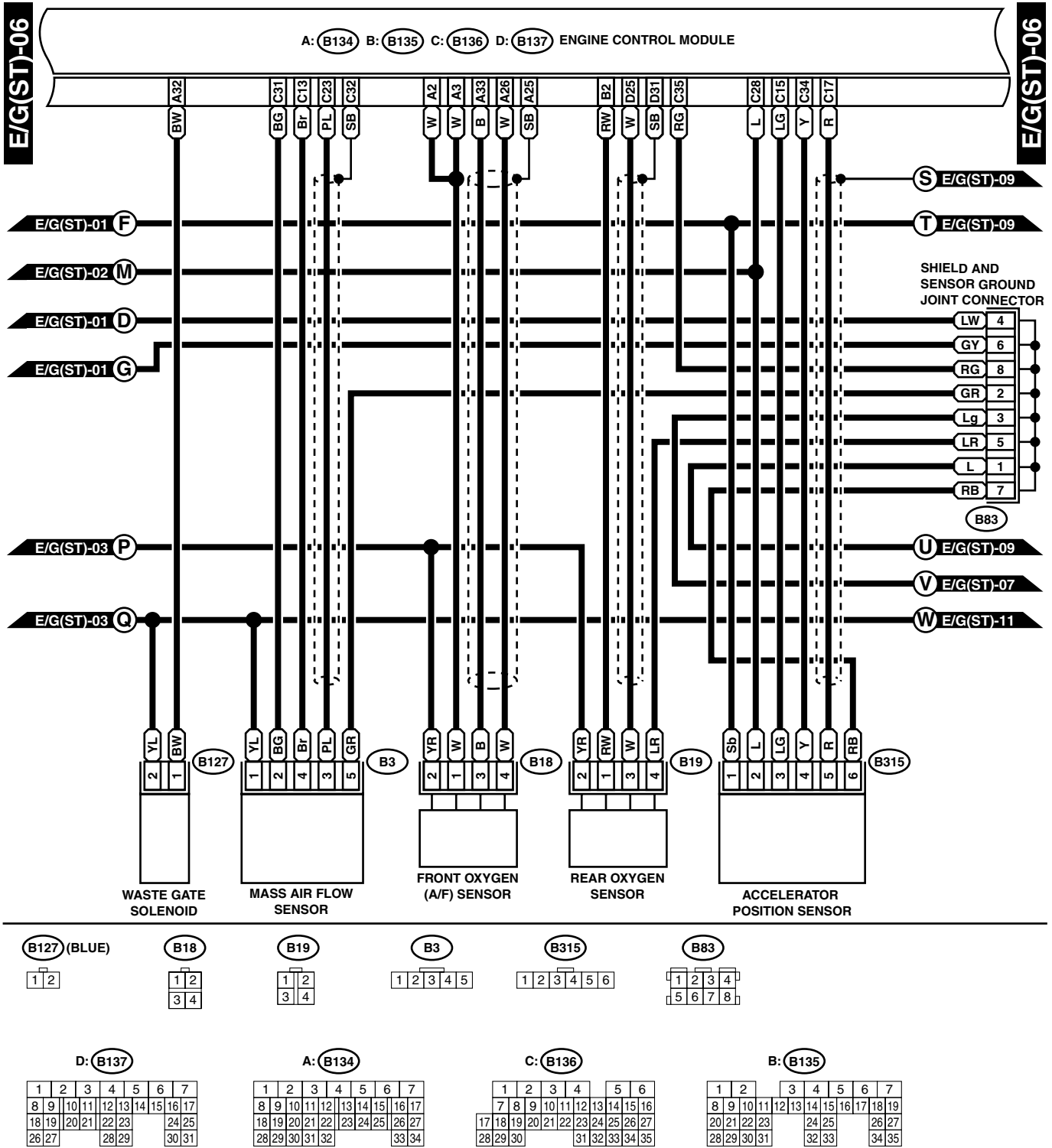
WIRING SYSTEM



WI-02810

ENGINE ELECTRICAL SYSTEM

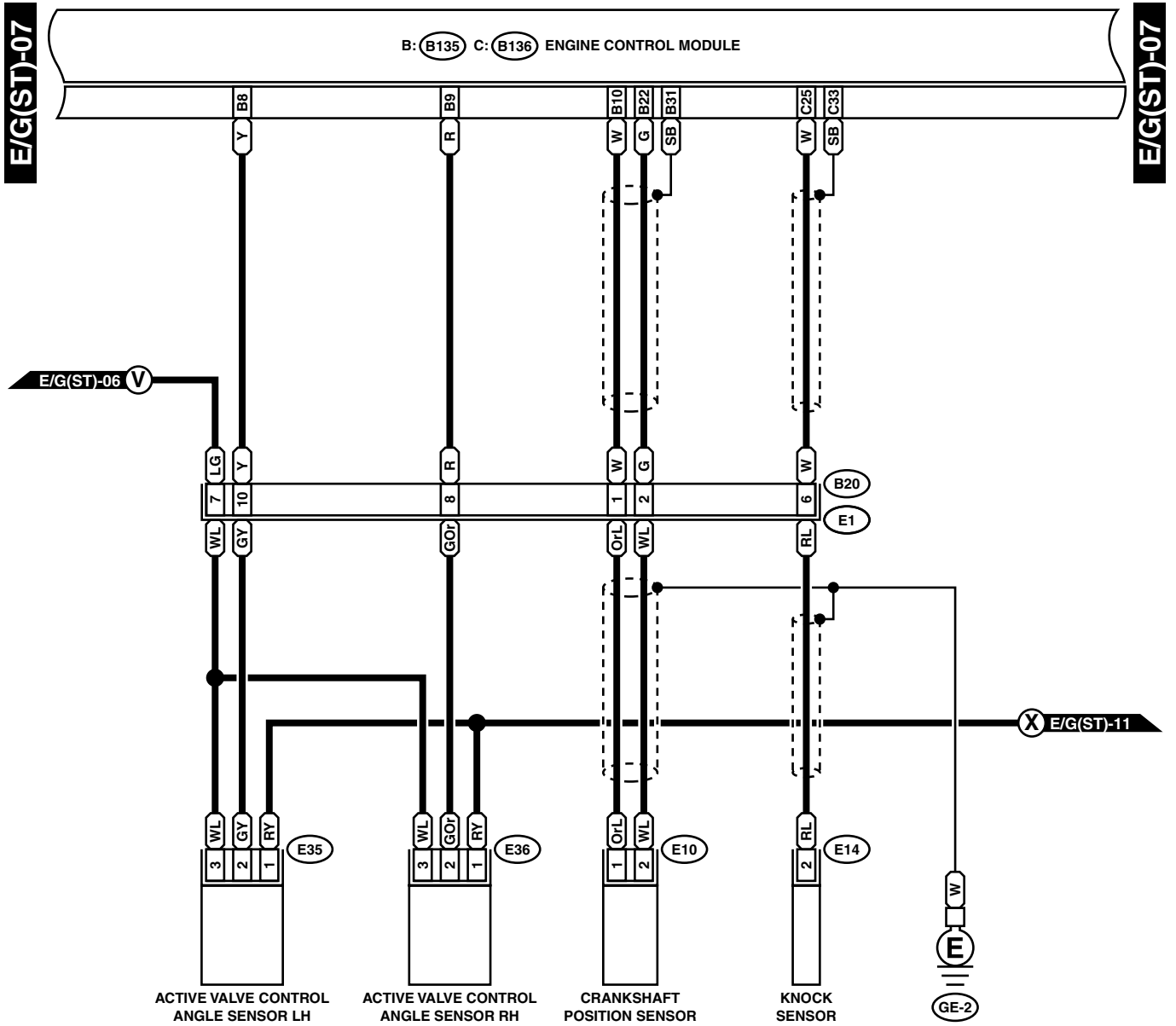
WIRING SYSTEM



WI-02811

ENGINE ELECTRICAL SYSTEM

WIRING SYSTEM



E10 (LIGHT GRAY)

1	2
---	---

E14 (LIGHT GRAY)

1	2
---	---

E35 (LIGHT GRAY)

1	2	3
---	---	---

E36 (LIGHT GRAY)

1	2	3
---	---	---

B20 (LIGHT GRAY)

1	2	3	4
5	6	7	
8	9	10	

B: (B135)

1	2	3	4	5	6	7					
8	9	10	11	12	13	14	15	16	17	18	19
20	21	22	23	24	25	26	27				
28	29	30	31	32	33	34	35				

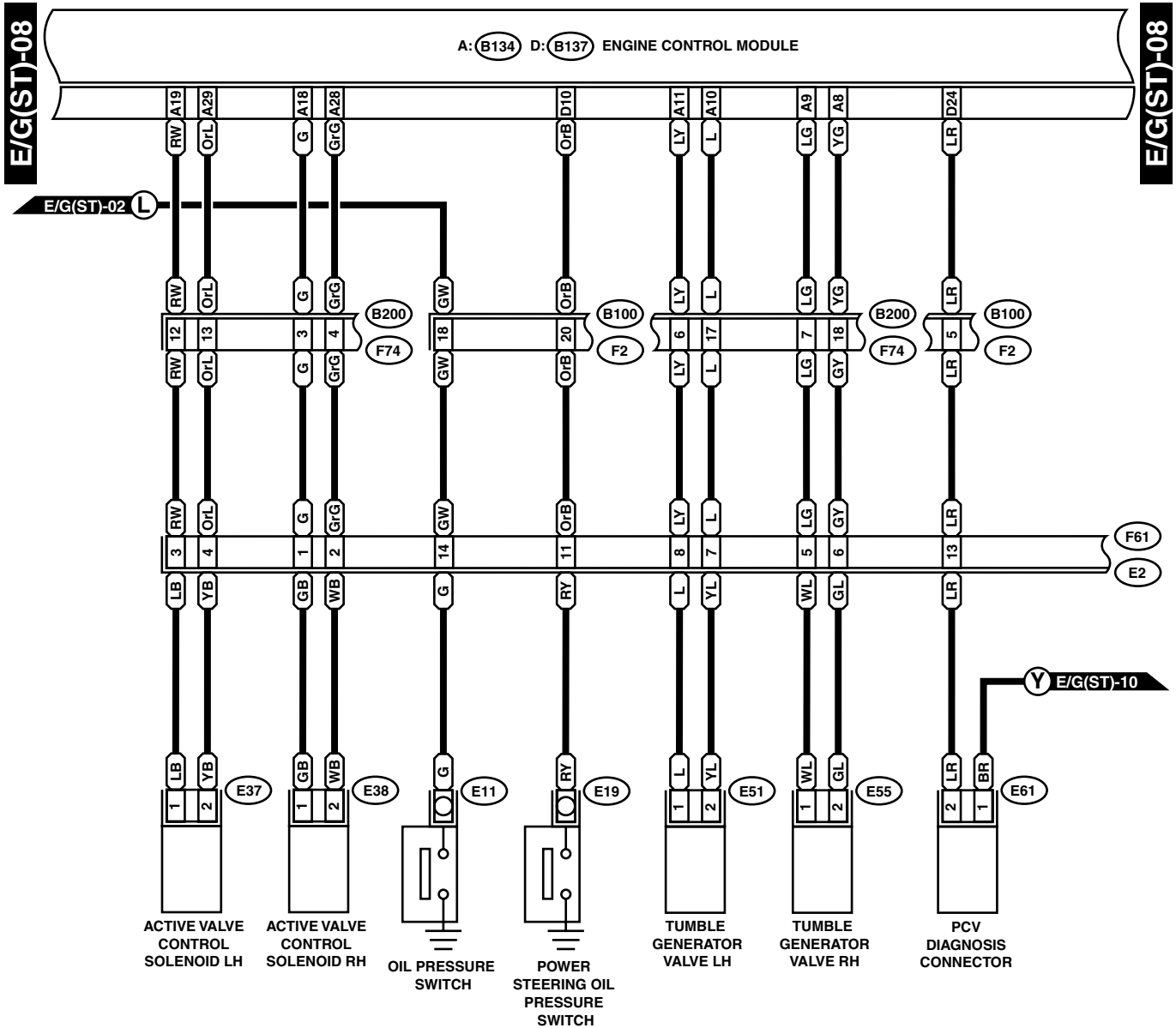
C: (B136)

1	2	3	4	5	6					
7	8	9	10	11	12	13	14	15	16	
17	18	19	20	21	22	23	24	25	26	27
28	29	30				31	32	33	34	35

WI-02812

ENGINE ELECTRICAL SYSTEM

WIRING SYSTEM



E37

E38

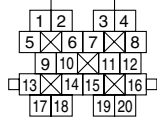
E51 (BLACK)

E55 (BLACK)

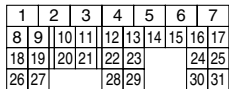
E61 (GRAY)

1 2

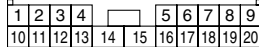
F61 (BLACK)



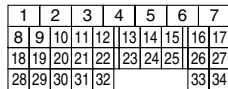
D: **B137**



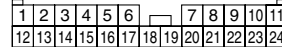
F74 (BLUE)



A: **B134**



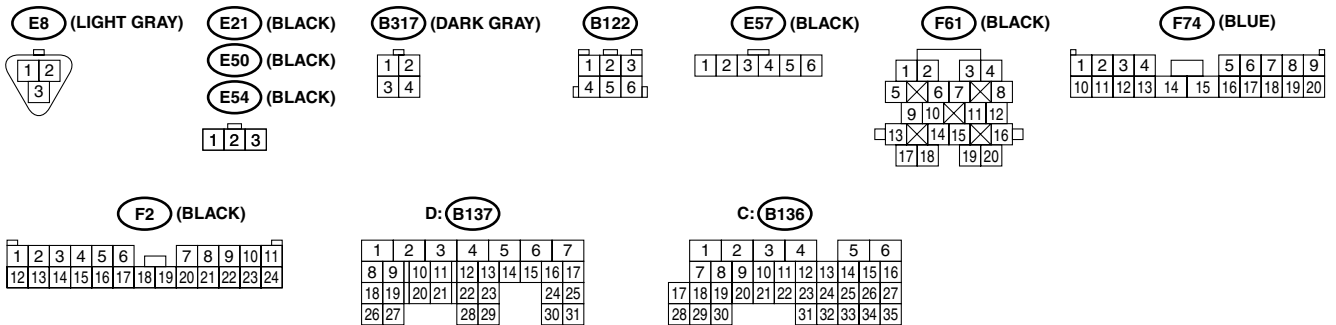
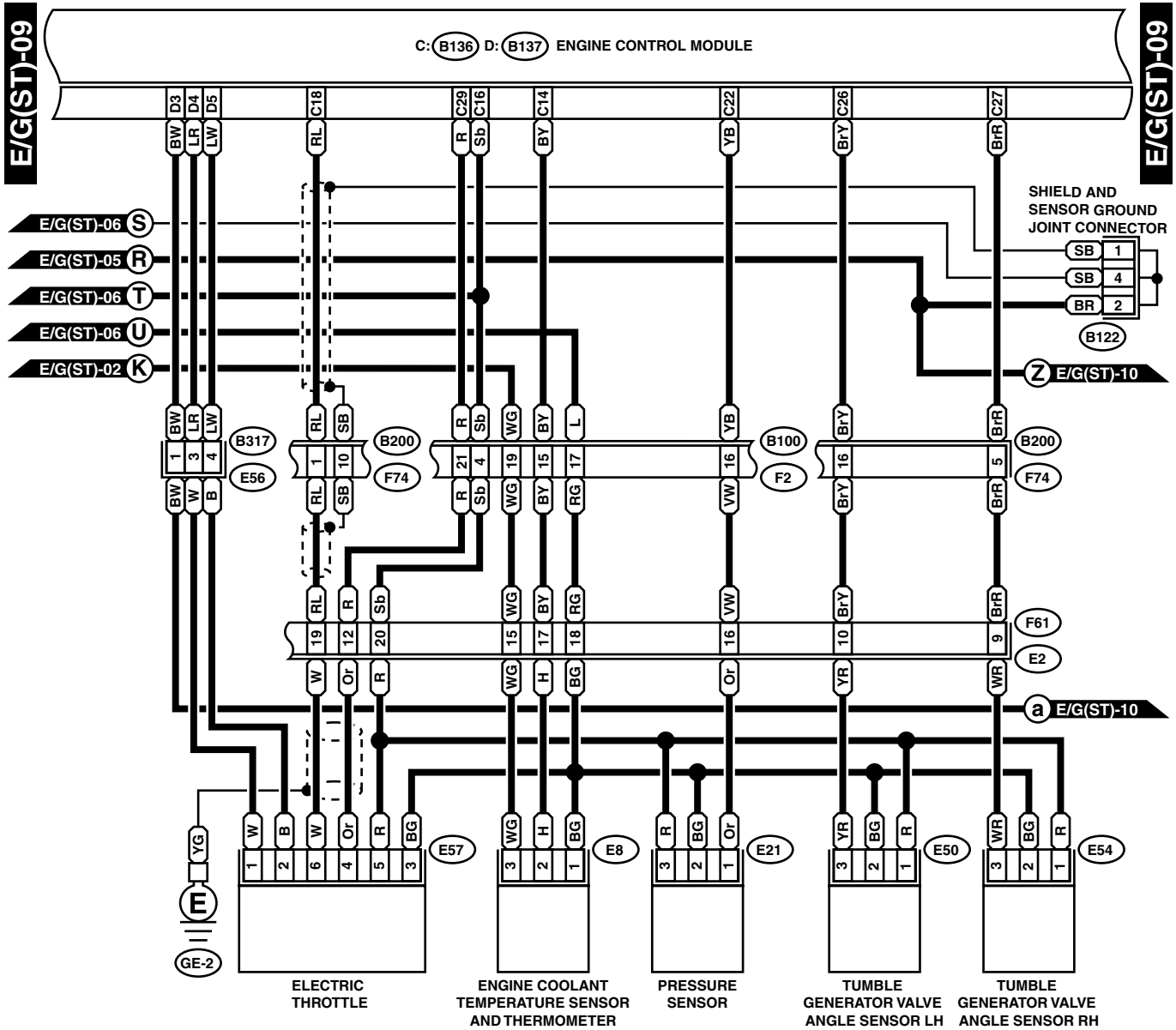
F2 (BLACK)



WI-02813

ENGINE ELECTRICAL SYSTEM

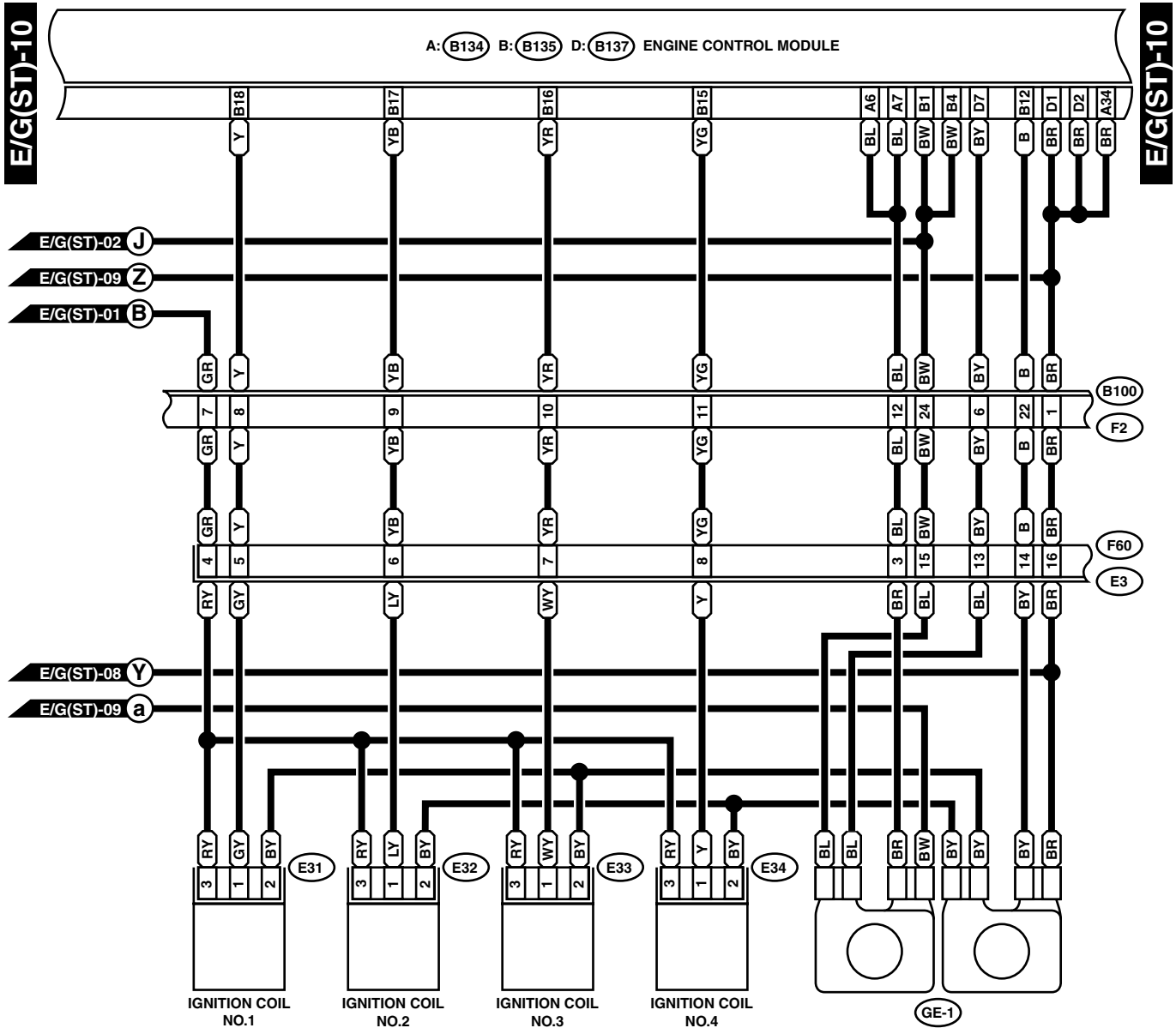
WIRING SYSTEM



WI-02814

ENGINE ELECTRICAL SYSTEM

WIRING SYSTEM



- E31
- E32
- E33 (BLACK)
- E34 (BLACK)

F60 (BROWN)

1	2	3	4
5	6	7	8
9	10	11	12
13	14	15	16

F2 (BLACK)

1	2	3	4	5	6	7	8	9	10	11		
12	13	14	15	16	17	18	19	20	21	22	23	24

D: B137

1	2	3	4	5	6	7			
8	9	10	11	12	13	14	15	16	17
18	19	20	21	22	23	24	25		
26	27	28	29	30	31				

A: B134

1	2	3	4	5	6	7			
8	9	10	11	12	13	14	15	16	17
18	19	20	21	22	23	24	25	26	27
28	29	30	31	32	33	34			

- 1
- 2
- 3

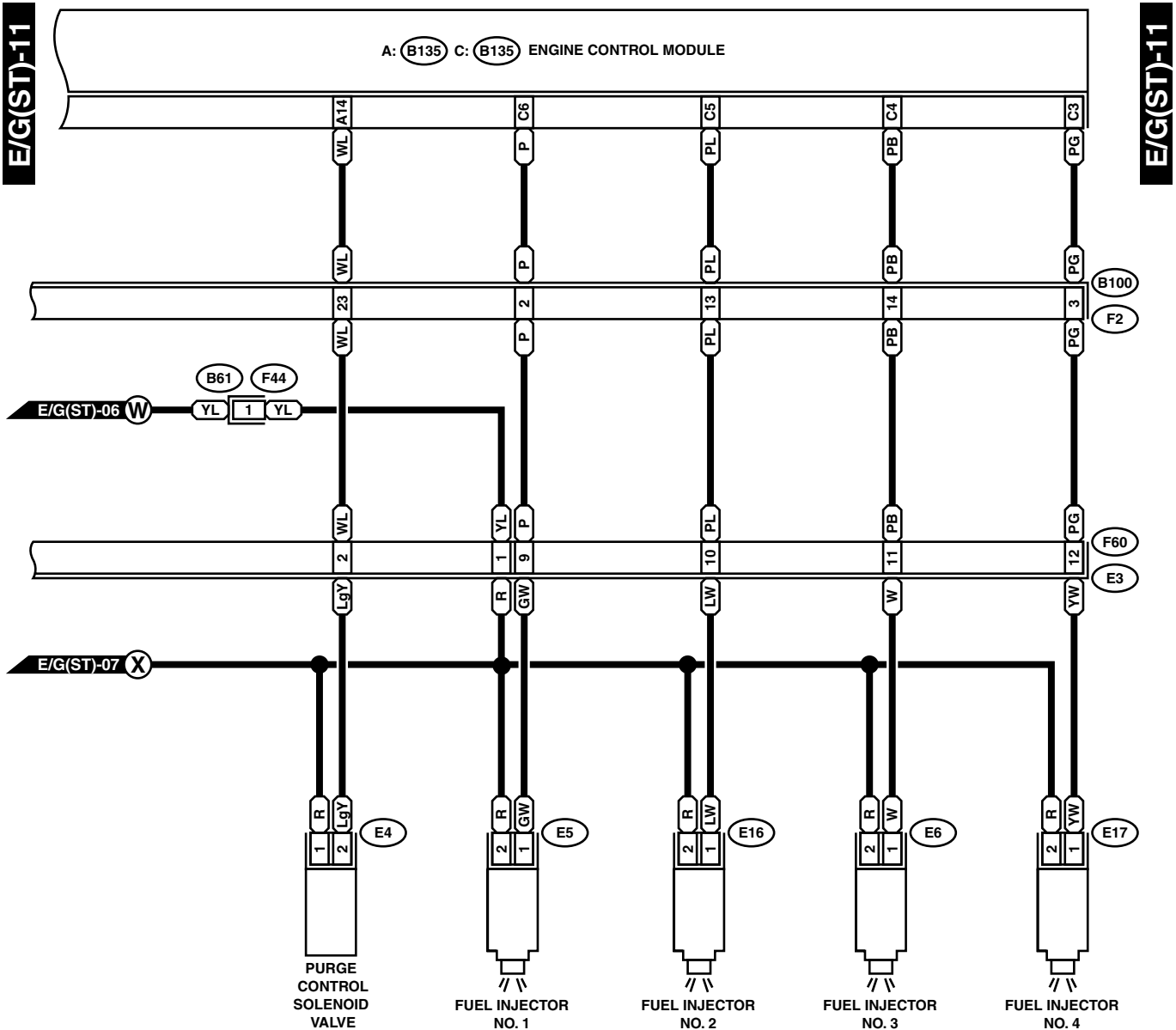
B: B135

1	2	3	4	5	6	7					
8	9	10	11	12	13	14	15	16	17	18	19
20	21	22	23	24	25	26	27				
28	29	30	31	32	33	34	35				

WI-02815

ENGINE ELECTRICAL SYSTEM

WIRING SYSTEM



- (E5) (DARK GRAY)
- (E6) (DARK GRAY)
- (E16) (DARK GRAY)
- (E17) (DARK GRAY)

- (E4) (BLACK)
- | | |
|---|---|
| 1 | 2 |
|---|---|

- (F44)
- | | | | |
|---|---|---|---|
| 1 | 2 | 3 | 4 |
| 5 | 6 | 7 | 8 |

- (F60) (BROWN)
- | | | | |
|----|----|----|----|
| 1 | 2 | 3 | 4 |
| 5 | 6 | 7 | 8 |
| 9 | 10 | 11 | 12 |
| 13 | 14 | 15 | 16 |

- (F2) (BLACK)
- | | | | | | | | | | | | | |
|----|----|----|----|----|----|----|----|----|----|----|----|----|
| 1 | 2 | 3 | 4 | 5 | 6 | | 7 | 8 | 9 | 10 | 11 | |
| 12 | 13 | 14 | 15 | 16 | 17 | 18 | 19 | 20 | 21 | 22 | 23 | 24 |

- | | |
|---|---|
| 1 | 2 |
|---|---|

A: (B134)

1	2	3	4	5	6	7			
8	9	10	11	12	13	14	15	16	17
18	19	20	21	22	23	24	25	26	27
28	29	30	31	32		33	34		

C: (B136)

1	2	3	4	5	6					
7	8	9	10	11	12	13	14	15	16	
17	18	19	20	21	22	23	24	25	26	27
28	29	30		31	32	33	34	35		

WI-02816